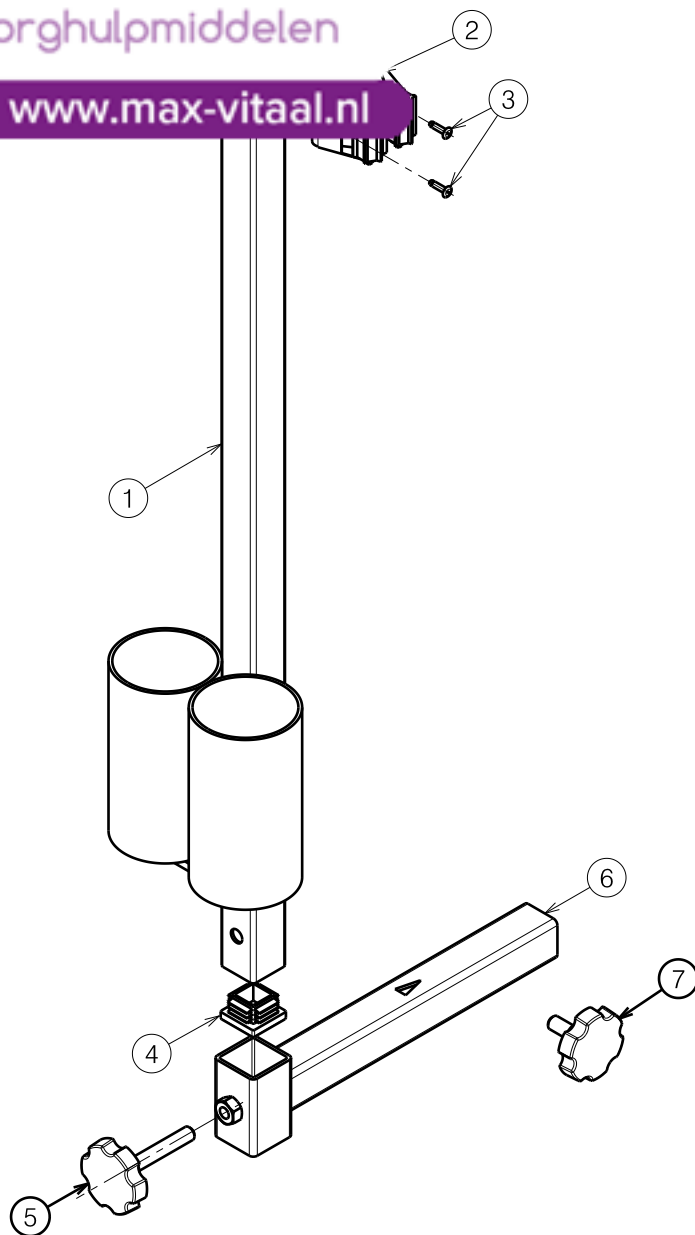




www.max-vitaal.nl



Material			
No.	Plan	Article	Quantity
1	Y017126	1740054	1
2	Ø22	1908818	2
3	Ø3x10	1908849	4
4	25x25	1001617	2
5	VGF40 M8x45	2990016	1
6	Y023056	2051554	1
7	VGF40 M8x16	2990024	1

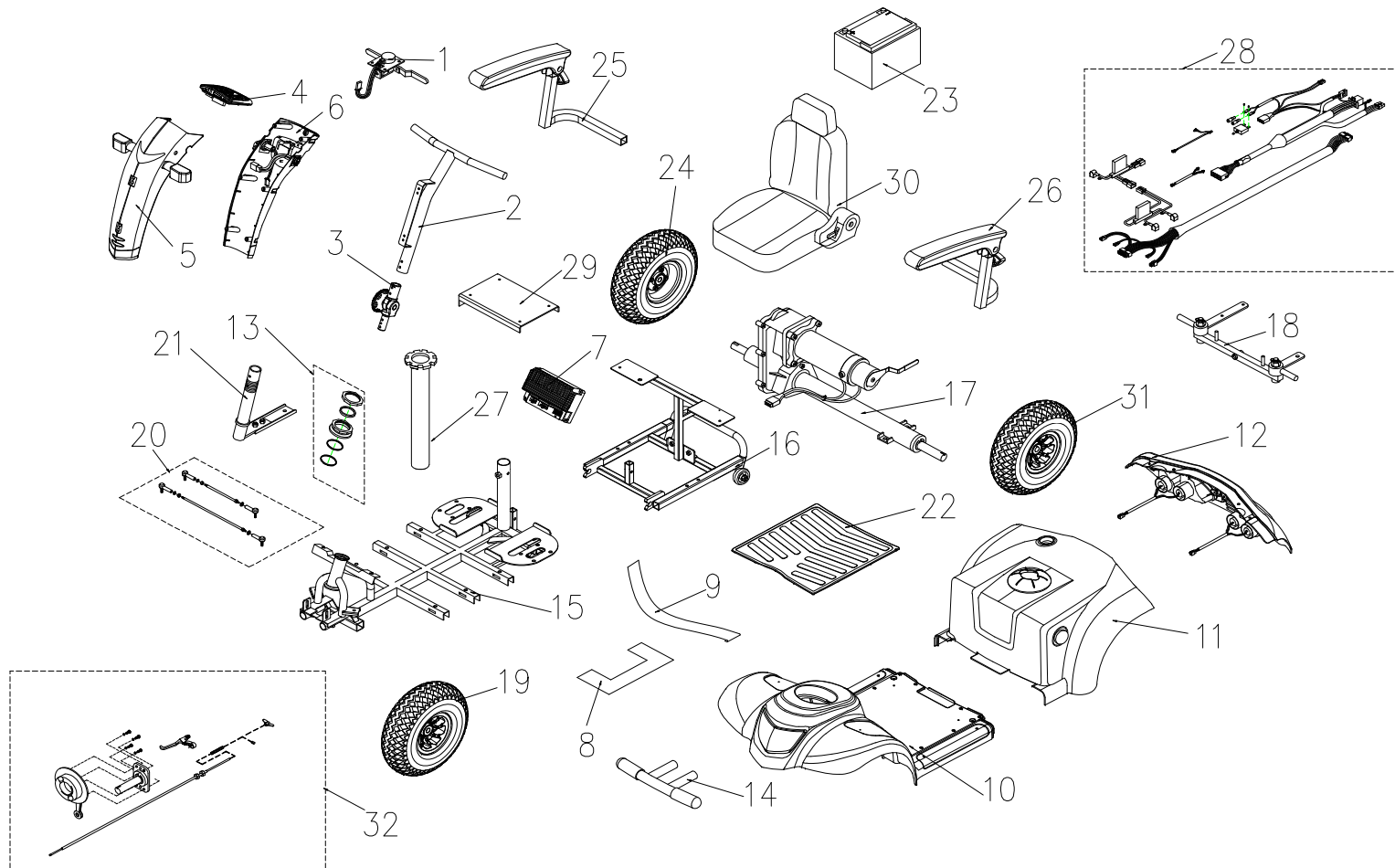
E000649 / L

2991004

B31 CRUTCH HOLDER				Plan Number
				E000649/L
Scale: 1:4	Drafted	Verified	Confirmed	
Date	13/09/2010	20/09/2018	20/09/2018	
Initials	TT	TT	PJ	



www.max-vitaal.nl





Fig&Index NO.	Parts No.	Parts Name	QTY	Remark
1	S12-009-00801	SPEED DIAL ASS'Y	1 SET	
1	S12-054-00100	SPEED DIAL ASS'Y, for delta bar use	1 SET	for DELTA BAR VERSION
2	S02-054-00100	T TYPE HANDLE BAR ASS'Y	1 SET	
2	S02-054-00200	DELTA HANDLE BAR ASS'Y	1 SET	for DELTA BAR VERSION
3	S02-001-00501	TILLER SWIVEL ASS'Y	1 SET	
4	S08-054-00100	COVER , HANDLE BAR ASS'Y , UPPER , BE 01	1 SET	
5	S08-054-00257	FRONT COVER ASS'Y , HAND BAR, BLUE 57 , W/O LABEL	1 SET	
5	S08-054-00266	FRONT COVER ASS'Y , HAND BAR, BLACK 66 , W/O LABEL	1 SET	
5	S08-054-00271	FRONT COVER ASS'Y , HAND BAR, CHAMPAGNE 71 , W/O LABEL	1 SET	
6	S08-054-00357	REAR COVER ASS'Y , HAND BAR , BLUE 57	1 SET	
6	S08-054-00366	REAR COVER ASS'Y , HAND BAR , BLACK 66	1 SET	
6	S08-054-00371	REAR COVER ASS'Y , HAND BAR , CHAMPAGNE 71	1 SET	
7	C10-001-01100	CONTROLLER , CTE 70A	1	BEFORE P152569 USE
7	C10-067-00200 (004)	CONTROLLER , P&G 70A	1	AFTER P129603 USE, for Ceres
7	C10-067-00200 (010)	CONTROLLER , P&G 70A, FOR DELTA BAR	1	for Ceres Deluxe
8	C25-003-00500	RUBBER PAD , BATTERY	1	
9	C07-001-90100	VELCRO STRIP , BATTERY	1	
10	S08-054-00457	FRONT SHROUD ASS'Y , BLUE 57, w/o foot pad	1 SET	
10	S08-054-00466	FRONT SHROUD ASS'Y , BLACK 66, w/o foot pad	1 SET	
10	S08-054-00471	FRONT SHROUD ASS'Y , SILVER 71, w/o foot pad	1 SET	
10	S08-054-01157	FRONT SHROUD ASS'Y , BLUE 57, w/ foot pad	1 SET	
10	S08-054-01166	FRONT SHROUD ASS'Y , BLACK 66, w/ foot pad	1 SET	
10	S08-054-01171	FRONT SHROUD ASS'Y , SILVER 71, w/ foot pad	1 SET	
11	S08-054-00557	COVER ASS'Y , BATTERY , BLUE 57 , W/O LABEL	1 SET	
11	S08-054-00566	COVER ASS'Y , BATTERY , BLACK 66 , W/O LABEL	1 SET	
11	S08-054-00571	COVER ASS'Y , BATTERY , CHAMPAGNE 71 , W/O LABEL	1 SET	

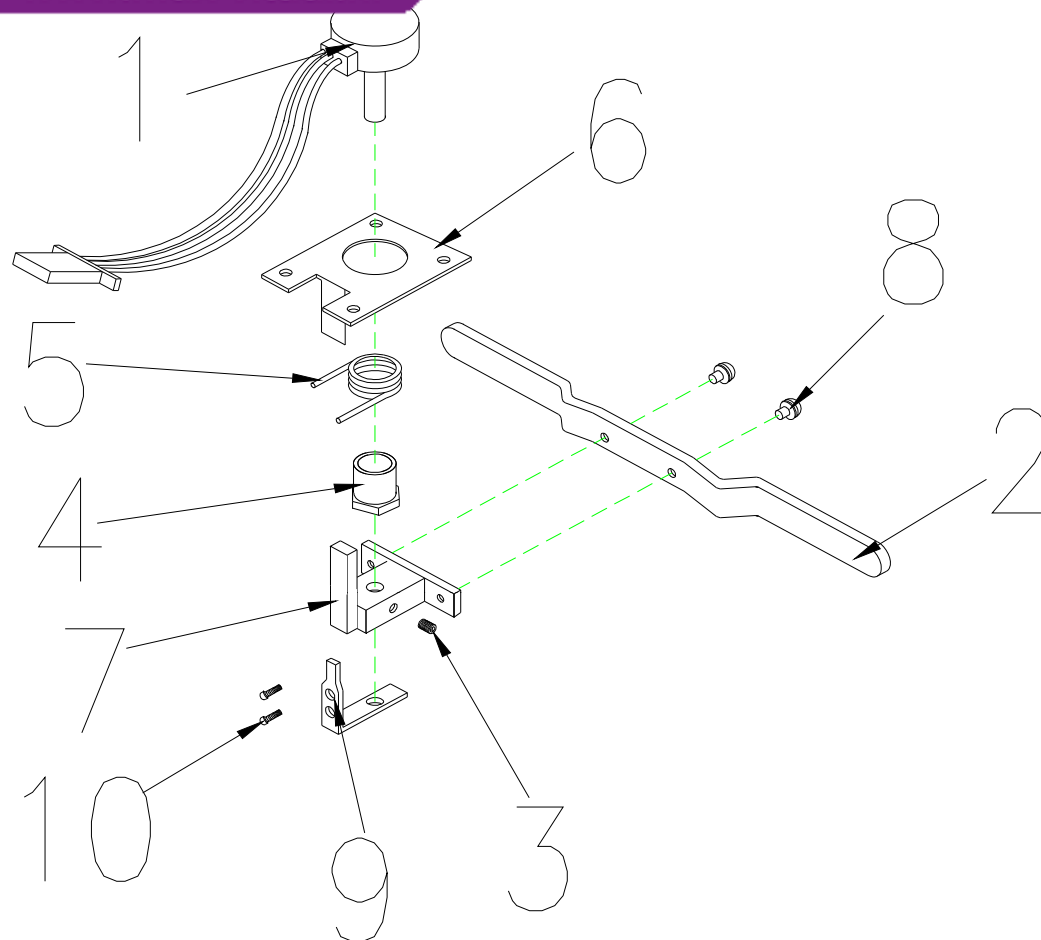


www.max-vitaal.nl

Fig&Index NO.	Parts No.	Parts Name	QTY	Remark
12	S08-054-00657	REAR SHROUD ASS'Y , BLUE 57 , W/O LABEL	1 SET	
12	S08-054-00618	REAR SHROUD ASS'Y , RED 18 , W/O LABEL	1 SET	
12	S08-054-00671	REAR SHROUD ASS'Y , CHAMPAGNE 71 , W/O LABEL	1 SET	
13	S02-001-00601	REGULAR BEARING BALL SET	1 SET	
14	C01-054-00600	FRONT BUMPER	1	
15	S01-054-00100	FRAME,FRONT SECTION ASS'Y	1 SET	
16	S01-054-00200	FRAME,REAR SECTION ASS'Y	1 SET	
17	S09-054-00100	REAR DRIVE ASS'Y (W/I BOLT / NUT) ,9M/5300RPM/26:1	1	
17	S09-054-00300	REAR DRIVE ASS'Y (W/I BOLT / NUT) ,9M/5300RPM/26:1 FOR P&G CONTROLLER	1	After P129603 Use
18	S03-054-00100	FRONT FORK ASS'Y	1 SET	
19	S05-054-00100	FRONT TIRE ASSY, GRAY , 4.00-5-C154-7	1 SET	
19	S05-005-00200	FRONT TIRE ASSY, BLACK , 4.00-5-C154-7	1 SET	for DELTA BAR VERSION
20	S03-033-00400	CONNECTING ROD ASS'Y	1 SET	
21	S03-003-00300	L TYPE STEERING AXLE ASS'Y	1 SET	
22	C21-054-00100	CARPET , RUBBER	1	
23	C17-001-23402	BATTERY , U1	1	
24	S06-054-00100	REAR TIRE ASSY,GRAY , 400-5-C154-7	1 SET	
24	S06-054-00200	REAR TIRE ASSY,BLACK , 400-5-C154-7	1 SET	for DELTA BAR VERSION
25	S07-053-00300	ARMREST COMP. , R	1 SET	
26	S07-053-00100	ARMREST COMP. , L	1	
27	C07-023-00104	SEAT POST	1	
28	S18-054-00200	WIRE HARNESS ASS'Y, FOR PG CONTROLLER	1 SET	FOR PG CONTROLLER
28	S18-054-00400	WIRE HARNESS ASS'Y , FRONT TO REAR, FOR CTE CONTROLLER	1 SET	
28	S18-054-00500	WIRE HARNESS ASS'Y, FRONT TO REAR, FOR PG CONTROLLER	1 SET	FOR PG CONTROLLER
29	S01-054-00300	HOLDER , CONTROLLER ASS'Y	1 SET	
30	S07-054-00100	18" SEAT ASS'Y,SEAT PLATE/BLACK , TA-380C3	1 SET	
31	S06-005-00300	REAR TIRE ASS'Y,L , GRAY , 400-5-C154-7, Inc. DRUM BRAKE	1 SET	
32	S35-054-00100	BRAKE ASS'Y	1	for CERES TUV
33	C10-051-00200	P&G CONTROLLER COVER	1	
34		ACCESSORIES		



www.max-vitaal.nl



1. SPEED DIAL ASS'Y



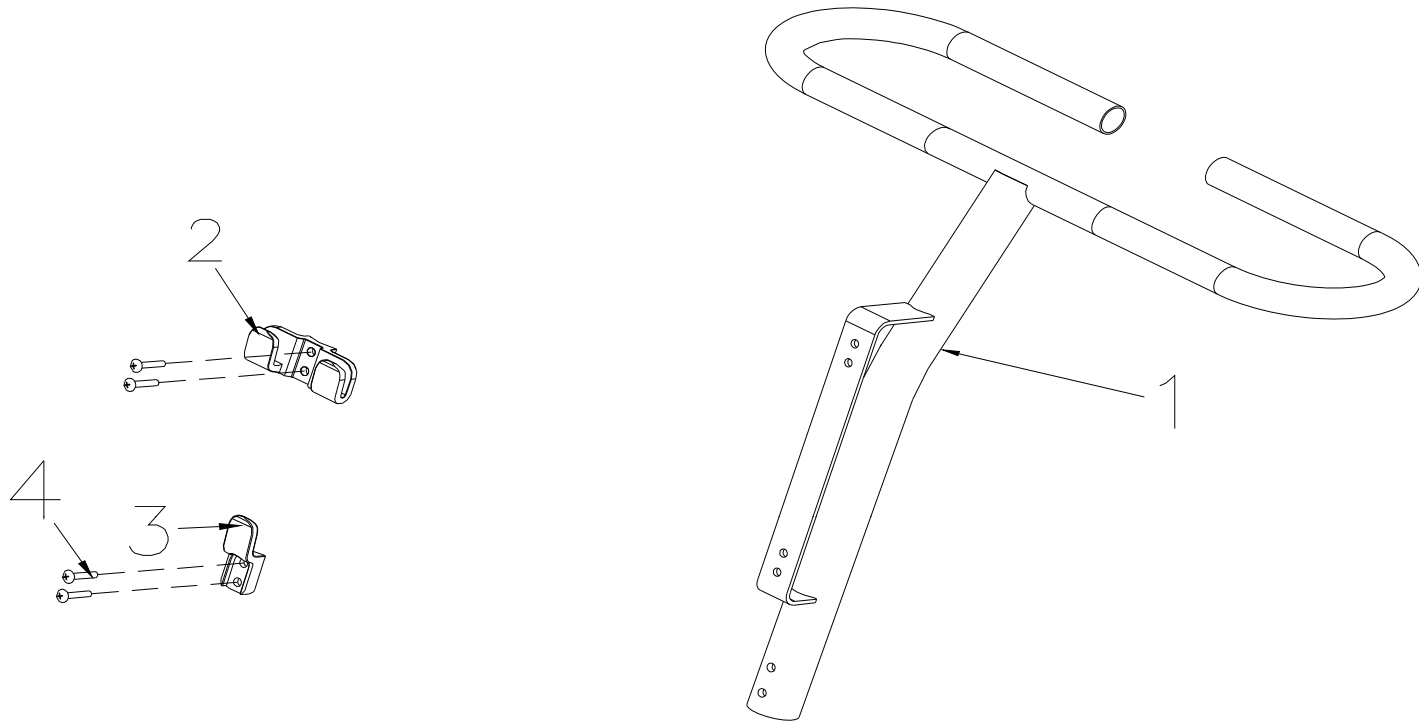
Fig&Index NO.	Parts No.	Parts Name	QTY	Remark
1	S12-009-00801	SPEED DIAL ASS'Y	1 SET	
1-1	C12-001-01401	SPEED LEVER COMP.	1	
1-2	C12-009-00601	SPEED LEVER	1	
1-3	9358040040753	LOCKING SCREW,4x4	2	
1-4	C12-001-00102	NUT	1	
1-5	C12-001-00300	TORSION SPRING,SPEED LEVER	1	
1-6	C12-001-00403	FIX PLATE,SPEED LEVER	1	
1-7	C12-009-00700	HOLDER,SPEED LEVER	1	
1-8	9004040120704	BOLT,M4x12L	2	
1-9	C12-001-01501	SPEED LEVER COMP POSITION	1	
1-10	9004030040504	BOLT,M3x4L	2	
1	S12-054-00100	SPEED DIAL ASS'Y, FOR DELRA BAR	1 SET	
1-1	C12-001-01401	SPEED LEVER COMP.	1	
1-2	C12-054-00301	SPEED LEVER	1	
1-3	9358040040753	LOCKING SCREW,4x4	2	
1-4	C12-001-00102	NUT	1	
1-5	C12-001-00300	TORSION SPRING,SPEED LEVER	1	
1-6	C12-001-00403	FIX PLATE,SPEED LEVER	1	
1-7	C12-009-00700	HOLDER,SPEED LEVER	1	
1-8	9004040120704	BOLT,M4x12L	2	
1-9	C12-001-01501	SPEED LEVER COMP POSITION	1	
1-10	9004030040504	BOLT,M3x4L	2	



2. T TYPE HANDLE BAR ASS'Y



Fig&Index NO.	Parts No.	Parts Name	QTY	Remark
2	S02-054-00100	T TYPE HANDLE BAR ASS'Y	1 SET	
2-1	C02-054-00100	T TYPE HANDLE BAR	1	
2-2	C26-009-01601	BASKET HOLDER,PAINTED,UPPER	1	
2-3	C26-009-01700	BASKET HOLDER,PAINTED,LOWER	1	
2-4	9005060401003	BOLT,M6x40L	4	



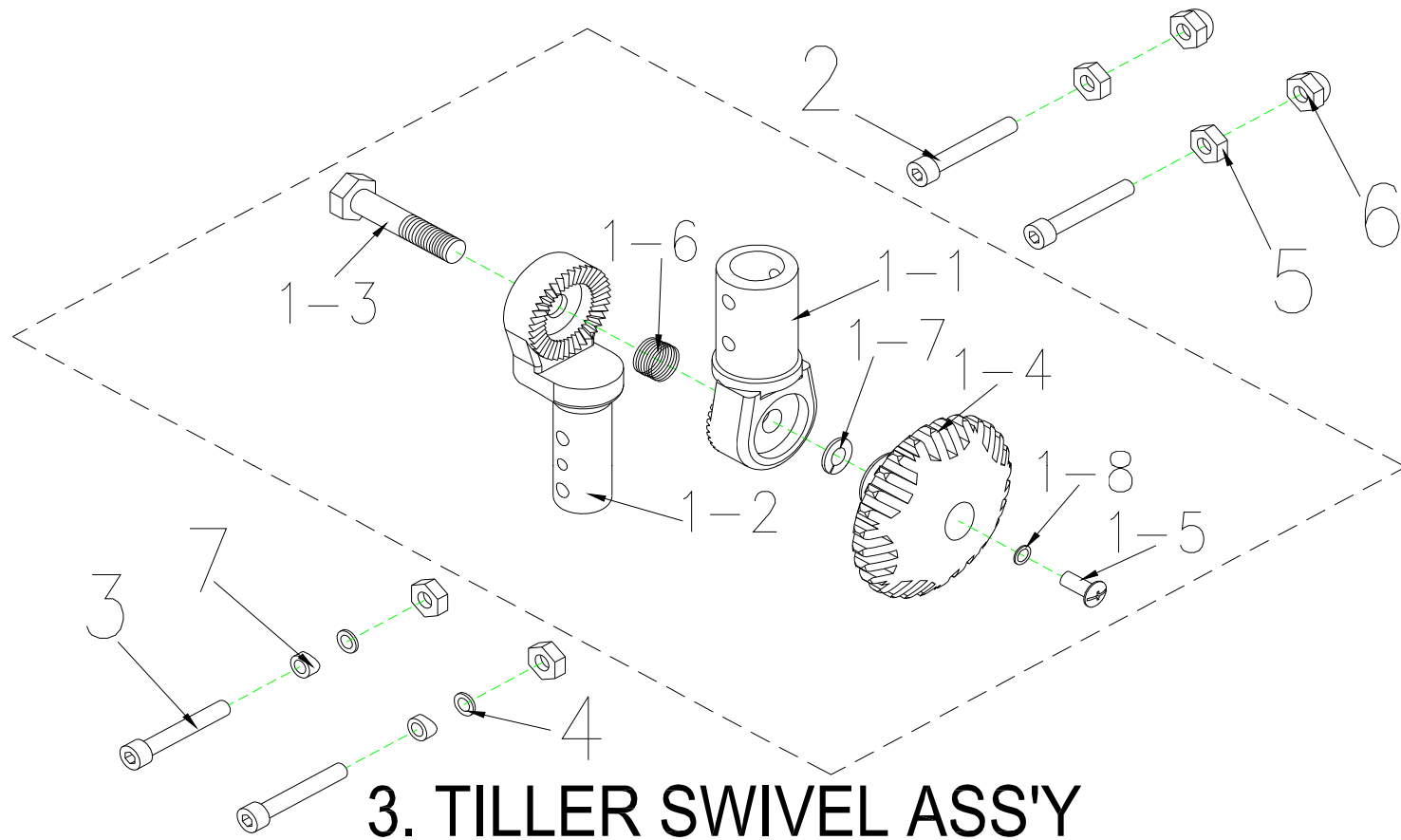
2.T TYPE HANDLE BAR ASS'Y



Fig&Index NO.	Parts No.	Parts Name	QTY	Remark
2	S02-054-00200	DELTA HANDLE BAR ASS'Y	1 SET	
2-1	C02-054-00202	DELTA TILLER	1	
2-2	C26-009-01601	BASKET HOLDER,PAINTED,UPPER	1	
2-3	C26-009-01700	BASKET HOLDER,PAINTED,LOWER	1	
2-4	9005060401003	BOLT,M6x40L	4	



www.max-vitaal.nl

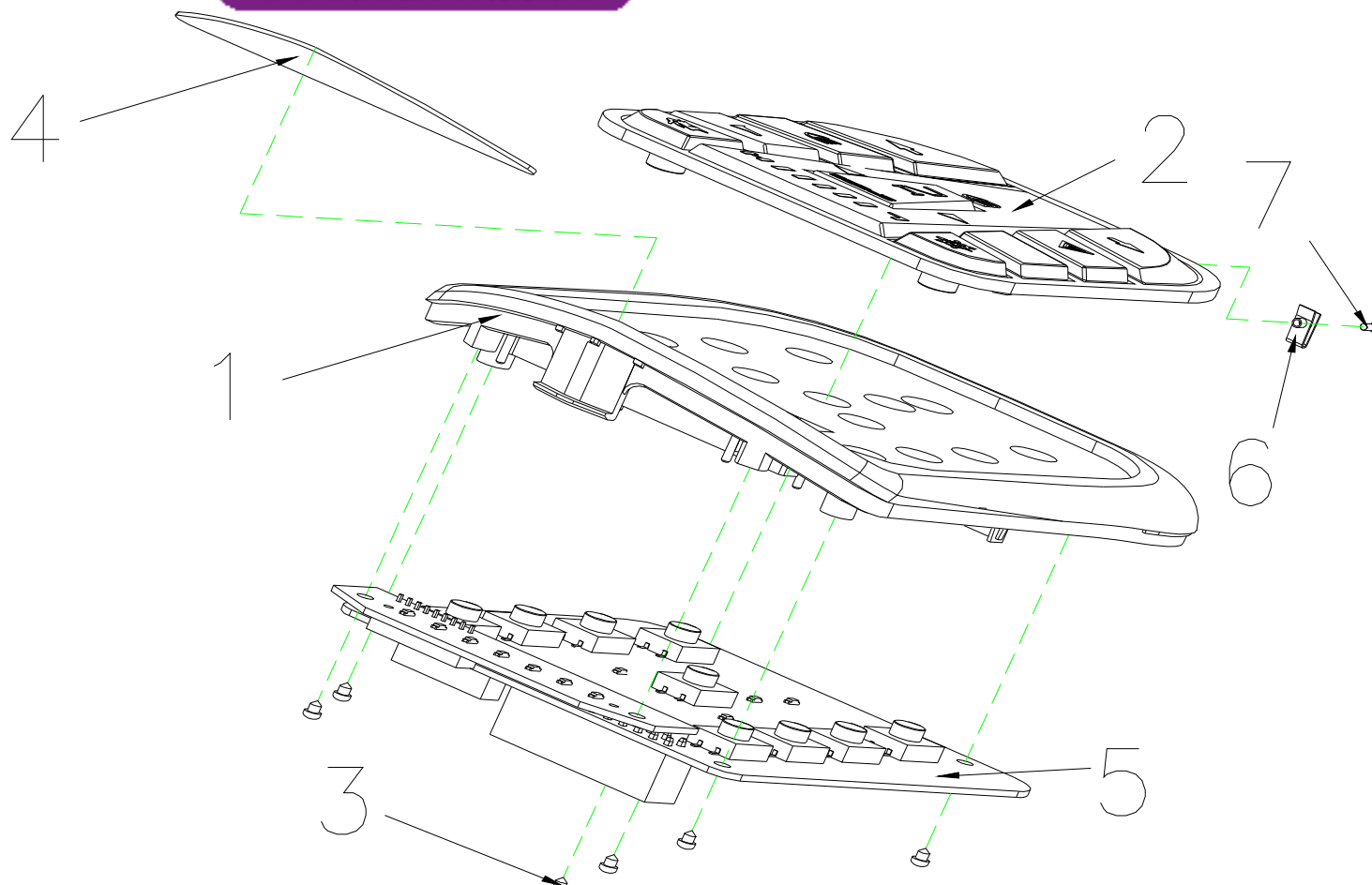




Fig&Index NO.	Parts No.	Parts Name	QTY	Remark
3	S02-001-00501	TILLER SWIVEL ASS'Y	1 SET	
3-1	C02-009-01501	TILLER SWIVEL ASS'Y	1	
3-1-1	C02-009-00501	TILLER SWIVEL,UPPER	1	
3-1-2	C02-009-00603	TILLER SWIVEL,LOWER	1	
3-1-3	9036100501503	BOLT,TILLER,M10x50L	1	
3-1-4	C02-026-00100	NUT,TILLER SWIVEL	1	
3-1-5	9005050120802	CR ROUND HD SCREW,M5X12L	1	
3-1-6	C02-009-00700	SPRING,TILLER SWIVEL	1	
3-1-7	9211100200172	SPRING WASHER , M10	1	
3-1-8	9211050100802	SPRING WASHER , M5	1	
3-2	9035060451003	BOLT,M6X45	2	
3-3	9035060351003	BOLT,M6X35	2	
3-4	9250060100193	WASHER,M6	2	
3-5	9201060601003	LOCK NUT,M6	4	
3-6	9205060951003	CAP NUT,M6	2	
3-7	C02-009-01400	WASHER	2	



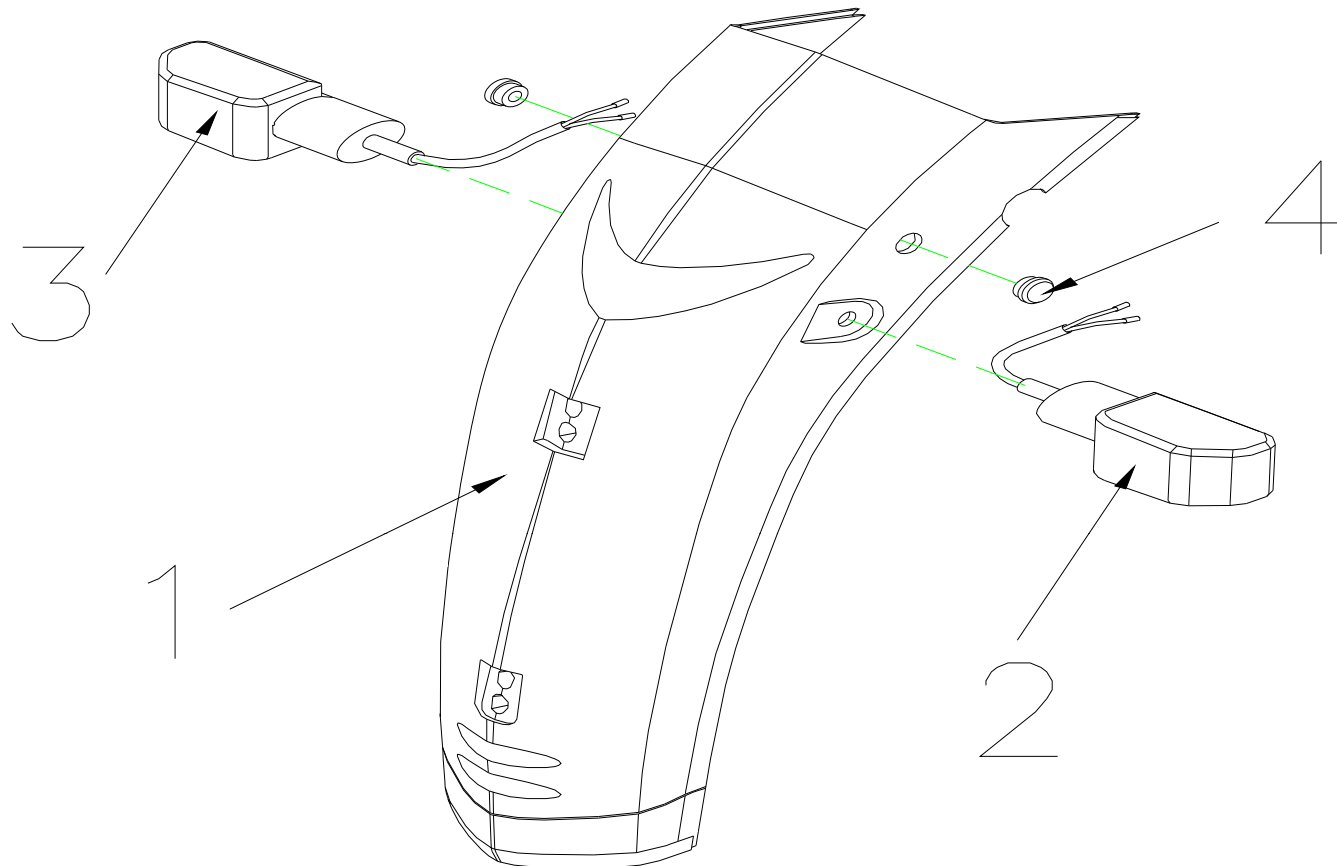
www.max-vitaal.nl



4. COVER ASS'Y , HANDLE BAR , UPPER



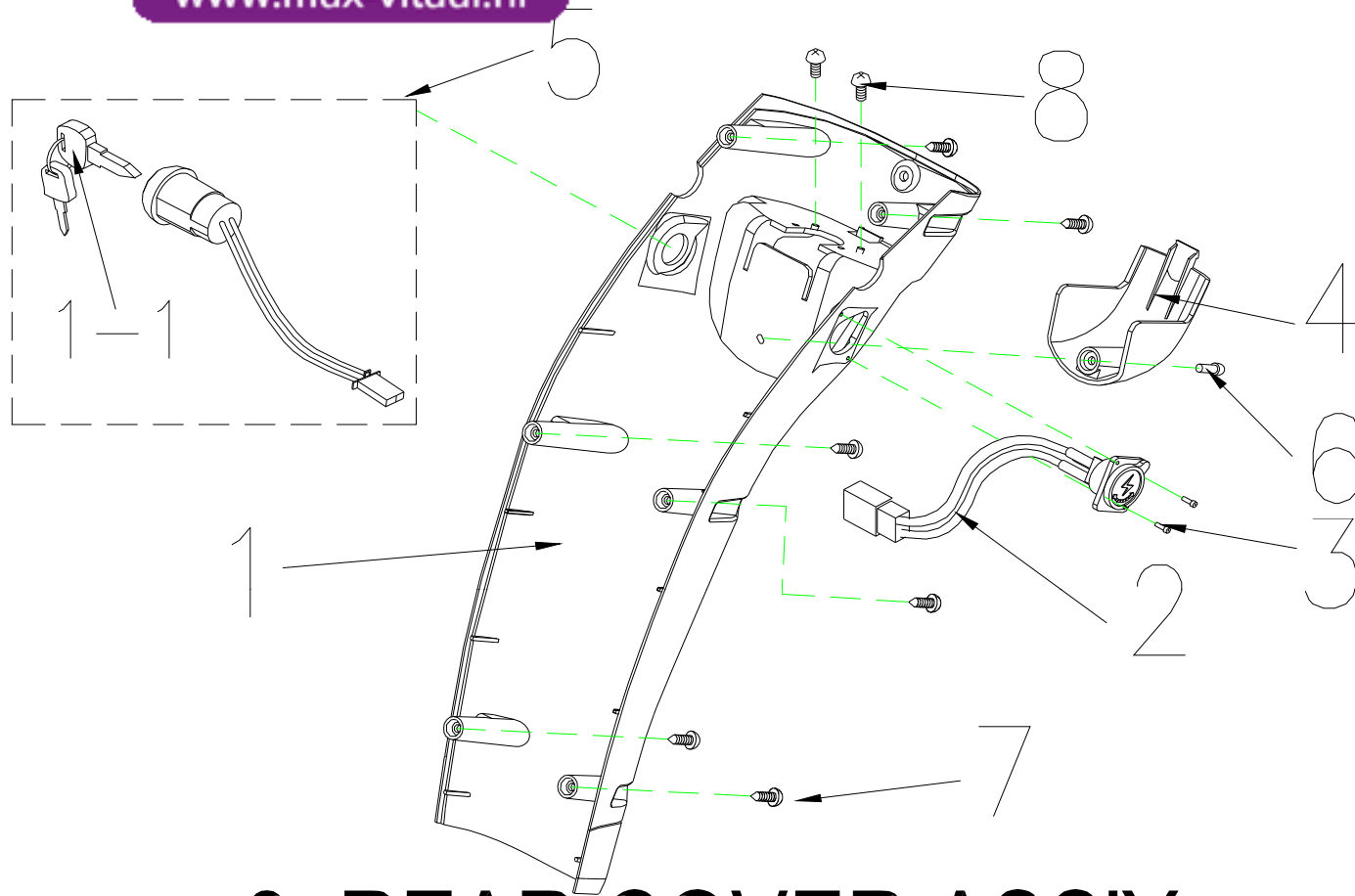
Fig&Index NO.	Parts No.	Parts Name	QTY	Remark
4	S08-054-00100	COVER , HANDLE BAR ASS'Y , UPPER , BE 01	1 SET	
4-1	C08-054-00600	COVER , HANDLE BAR , UPPER	1	
4-2	C10-051-00601	CONTROL PANEL BUTTON	1	
4-3	9004030080504	BOLT M3x8L	6	
4-4	C27-054-00101	BATTERY INDICATOR	1	
4-5	C10-051-00508	CONTROL PANEL PC BOARD	1	
4-6	9237040000003	U-TYPE SPRING NUT,M4	1	
4-7	9029040120002	BOLT M4x12L	1	
4-8	C26-051-00200	SPEED INDICATOR PAD	1	
4-9	C26-051-00301	FRONT/REAR LIGHT DISPLAY PAD	1	



5. FRONT COVER ASS'Y



Fig&Index NO.	Parts No.	Parts Name	QTY	Remark
5	S08-054-00257	FRONT COVER ASS'Y , HAND BAR, BLUE 57 , W/O LABEL	1 SET	
5-1	C08-054-00457	FRONT COVER , HAND BAR, BLUE 57	1	
5-2	C15-054-00100	FRONT SIGNAL LAMP , L	1	
5-3	C15-054-00200	FRONT SIGNAL LAMP , R	1	
5-4	C25-001-00301	PLUG TO COVER THE HOLE OF BRAKE	2	
5	S08-054-00266	FRONT COVER ASS'Y , HAND BAR, BLACK 66 , W/O LABEL	1 SET	
5-1	C08-054-00466	FRONT COVER , HAND BAR, BLACK 66	1	
5-2	C15-054-00100	FRONT SIGNAL LAMP , L	1	
5-3	C15-054-00200	FRONT SIGNAL LAMP , R	1	
5-4	C25-001-00301	PLUG TO COVER THE HOLE OF BRAKE	2	
5	S08-054-00271	FRONT COVER ASS'Y , HAND BAR, CHAMPAGNE 71 , W/O LABEL	1 SET	
5-1	C08-054-00471	FRONT COVER , HAND BAR, CHAMPAGNE 71	1	
5-2	C15-054-00100	FRONT SIGNAL LAMP , L	1	
5-3	C15-054-00200	FRONT SIGNAL LAMP , R	1	
5-4	C25-001-00301	PLUG TO COVER THE HOLE OF BRAKE	2	



6. REAR COVER ASS'Y



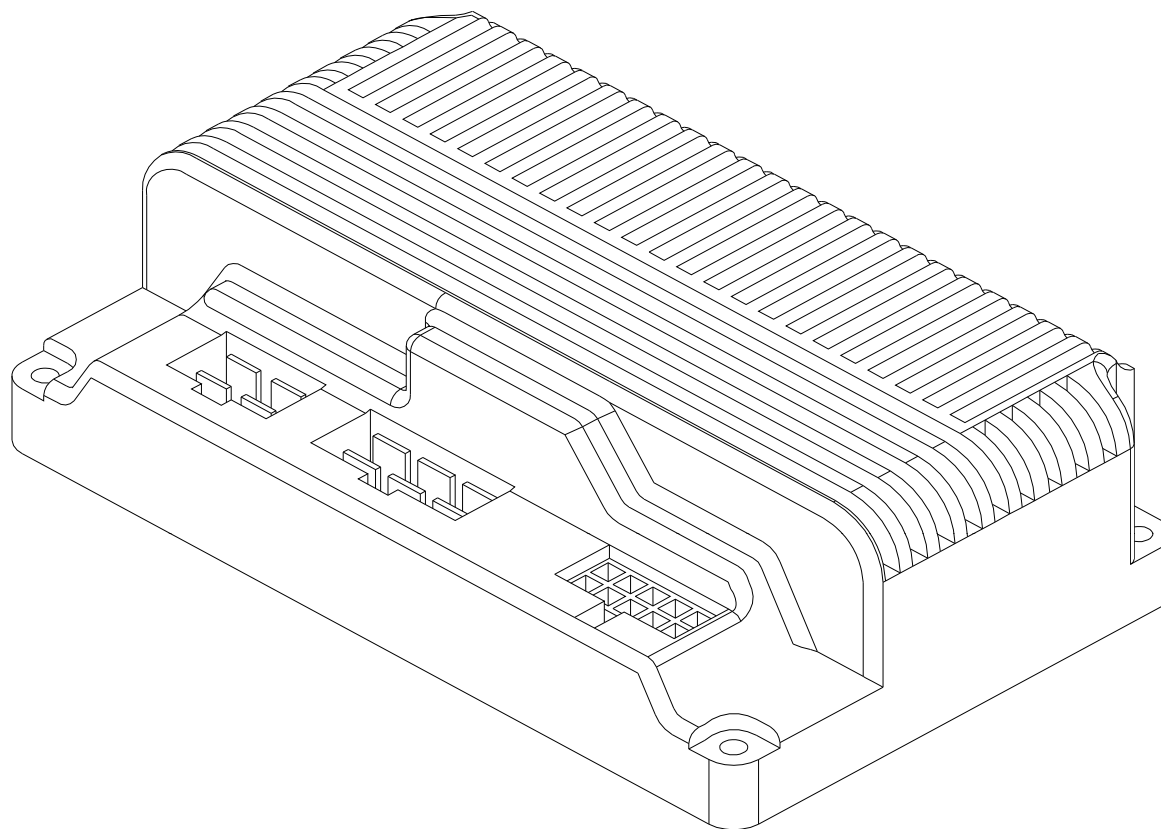
www.max-vitaal.nl

Fig&Index NO.	Parts No.	Parts Name	QTY	Remark
6	S08-054-00357	REAR COVER ASS'Y , HAND BAR , BLUE 57	1 SET	
6-1	C08-054-00557	REAR COVER , HAND BAR , BLUE 57	1	
6-2	C12-051-00200	CHARGER SOCKET ASS'Y	1	
6-3	9014250080002	CR PAN HD SCREW , M2.5x8L	2	
6-4	C08-045-00457	DECORATED SHROUND FOR LEVER BASE, BLUE 57	1	
6-5	C18-001-01501	IGNITION SWIITCH ASS'Y	1	
6-5-1	C37-001-02300	KEY	1	
6-6	9004040080704	BOLT,M4x8L	1	
6-7	9011040200003	BOLT,M4x20L	6	
6-8	9004030080504	BOLT,M3x8L	2	
6	S08-054-00366	REAR COVER ASS'Y , HAND BAR , BLACK 66	1 SET	
6-1	C08-054-00566	REAR COVER , HAND BAR , BLACK 66	1	
6-2	C12-051-00200	CHARGER SOCKET ASS'Y	1	
6-3	9014250080002	CR PAN HD SCREW , M2.5x8L	2	
6-4	C08-045-00466	DECORATED SHROUND FOR LEVER BASE, BLACK 66	1	
6-5	C18-001-01501	IGNITION SWIITCH ASS'Y	1	
6-5-1	C37-001-02300	KEY	1	
6-6	9004040080704	BOLT,M4x8L	1	
6-7	9011040200003	BOLT,M4x20L	6	
6-8	9004030080504	BOLT,M3x8L	2	
6	S08-054-00371	REAR COVER ASS'Y , HAND BAR , CHAMPAGNE 71	1 SET	
6-1	C08-054-00571	REAR COVER , HAND BAR, CHAMPAGNE 71	1	
6-2	C12-051-00200	CHARGER SOCKET ASS'Y	1	
6-3	9014250080002	CR PAN HD SCREW , M2.5x8L	2	
6-4	C08-045-00471	DECORATED SHROUND FOR LEVER BASE, CHAMPAGNE 71	1	
6-5	C18-001-01501	IGNITION SWIITCH ASS'Y	1	
6-5-1	C37-001-02300	KEY	1	
6-6	9004040080704	BOLT,M4x8L	1	
6-7	9011040200003	BOLT,M4x20L	6	
6-8	9004030080504	BOLT,M3x8L	2	



zorghulpmiddelen

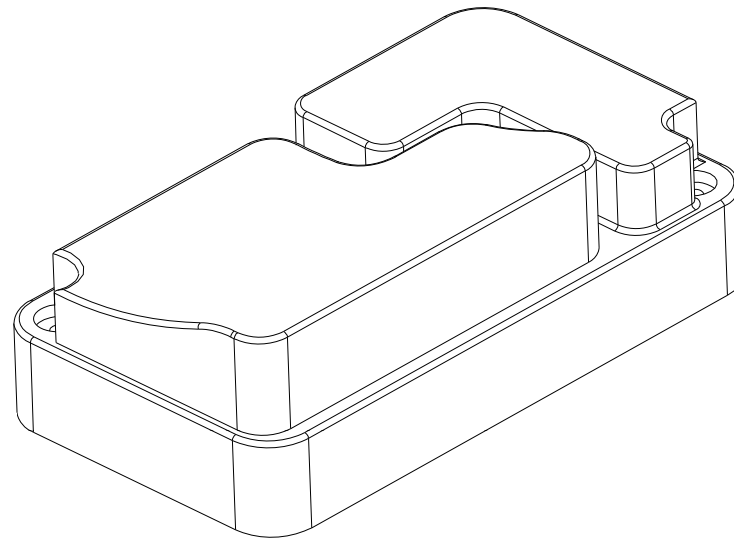
www.max-vitaal.nl



7.CONTROLLER , CTE 70A



Fig&Index NO.	Parts No.	Parts Name	QTY	Remark
7	C10-005-00500	CONTROLLER , CTE 70A	1	BEFORE P152569 USE



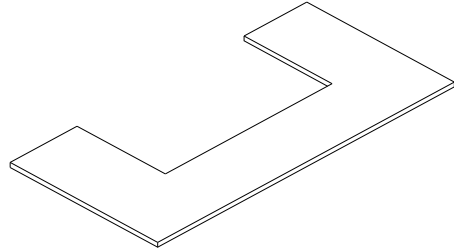
7.CONTROLLER ASS'Y



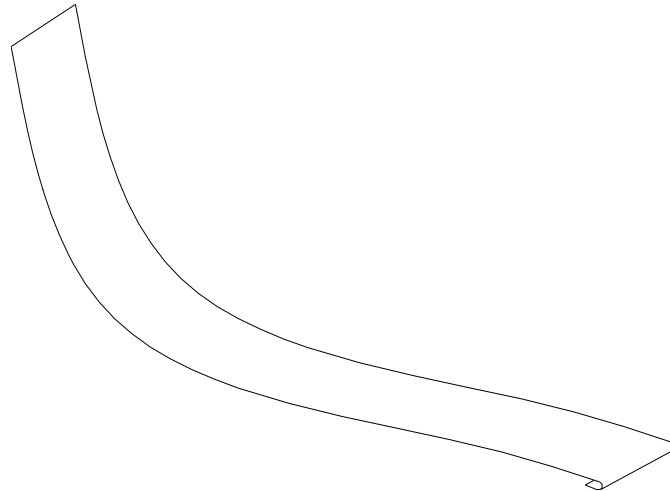
Fig&Index NO.	Parts No.	Parts Name	QTY	Remark
7	C10-067-00200 (004)	CONTROLLER , P&G 70A	1	AFTER P129603 USE, for Ceres
7	C10-067-00200 (010)	CONTROLLER , P&G 70A, FOR DELTA BAR	1	for Ceres Deluxe



www.max-vitaal.nl



8.RUBBER PAD,BATTERY



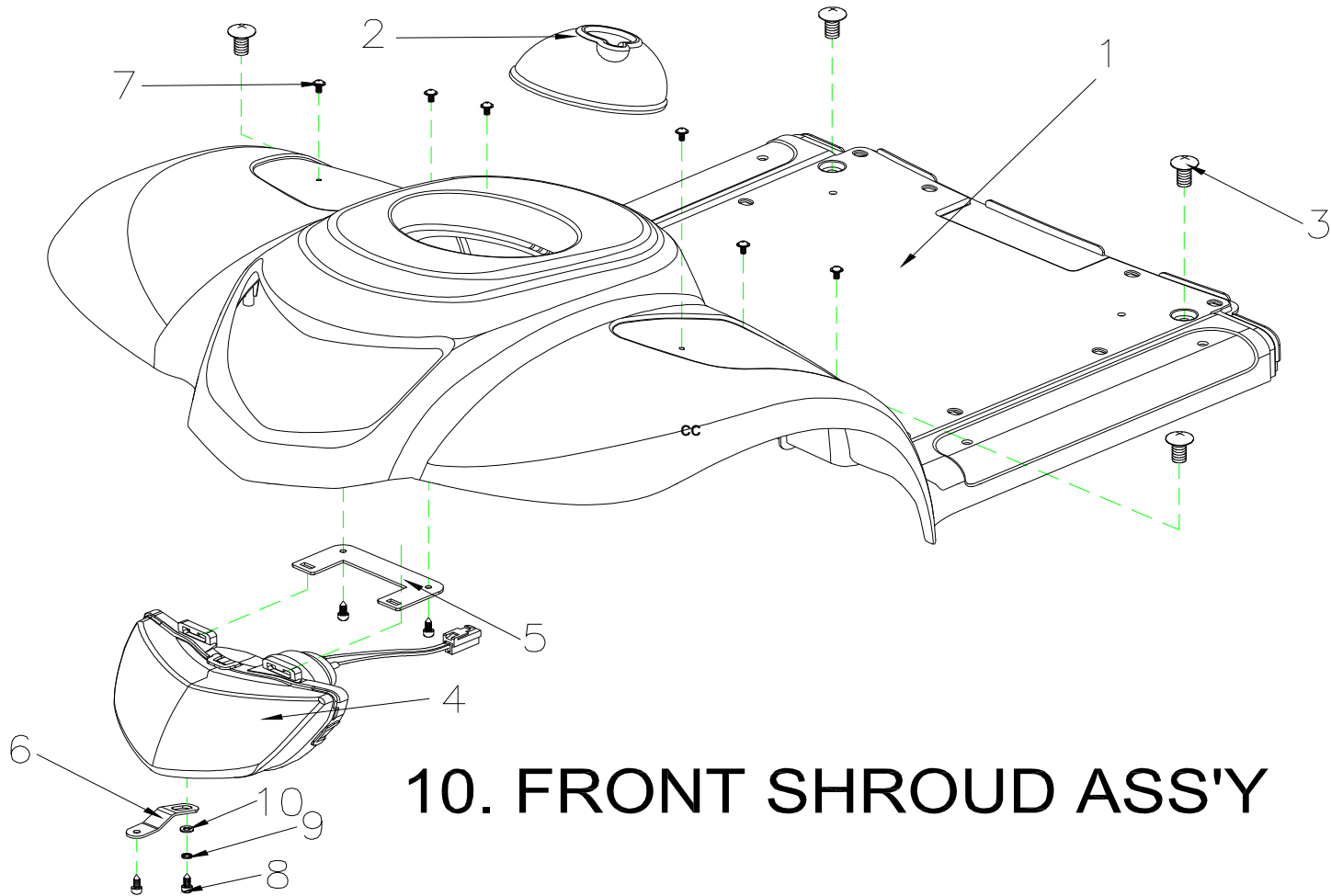
9.VELCRO STRIP,BATTERY



Fig&Index NO.	Parts No.	Parts Name	QTY	Remark
8	C25-003-00500	RUBBER PAD , BATTERY	1	
9	C07-001-90100	VELCRO STRIP , BATTERY	1	



www.max-vitaal.nl



10. FRONT SHROUD ASS'Y

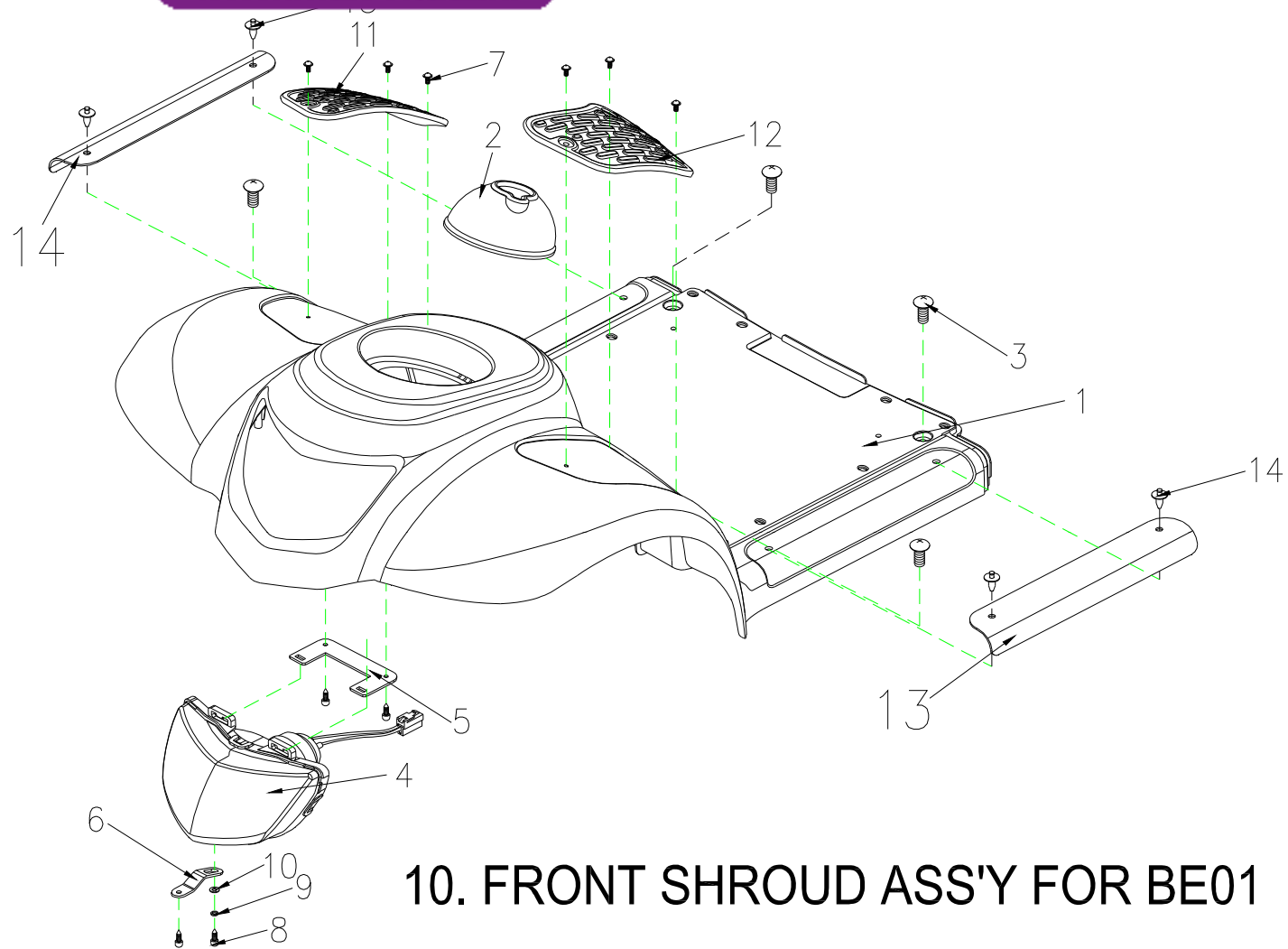


www.max-vitaal.nl

Fig&Index NO.	Parts No.	Parts Name	QTY	Remark
10	S08-054-00457	FRONT SHROUD ASS'Y , BLUE 57, w/o foot pad	1 SET	
10-1	C08-054-00157	FRONT SHROUD , BLUE 57	1	
10-2	C25-001-90101	RUBBER COVER , FRONT SHROUD	1	
10-3	9005060201002	CR ROUND HD SCREW,M6X20	4	
10-4	C13-052-00100	HEADLIGHT	1	
10-5	C01-051-01300	HEADLIGHT BRACKET	1	
10-6	C01-051-01401	HEADLIGHT ADJUSTING PLATE	1	
10-7	9029040120002	BOLT M4x12L	9	
10-8	9005040120702	BOLT M4x12L	1	
10-9	9211040100602	SPRING WASHER , M4	1	
10-10	9214040140102	WASHER M4xOD14xID4.2x1mm	1	
10	S08-054-00466	FRONT SHROUD ASS'Y , BLACK 66, w/o foot pad	1 SET	
10-1	C08-054-00166	FRONT SHROUD , BLACK 66	1	
10-2	C25-001-90101	RUBBER COVER , FRONT SHROUD	1	
10-3	9005060151002	CR ROUND HD SCREW,M6X20	4	
10-4	C13-052-00100	HEADLIGHT	1	
10-5	C01-051-01300	HEADLIGHT BRACKET	1	
10-6	C01-051-01401	HEADLIGHT ADJUSTING PLATE	1	
10-7	9029040120002	BOLT M4x12L	9	
10-8	9005040120702	BOLT M4x12L	1	
10-9	9211050100803	SPRING WASHER , M5	1	
10-10	9214060100133	WASHER , M6	1	
10	S08-054-00471	FRONT SHROUD ASS'Y , CHAMPAGNE 71, w/o foot pad	1 SET	
10-1	C08-054-00171	FRONT SHROUD , CHAMPAGNE 71	1	
10-2	C25-001-90101	RUBBER COVER , FRONT SHROUD	1	
10-3	9005060151002	CR ROUND HD SCREW,M6X20	4	
10-4	C13-052-00100	HEADLIGHT	1	
10-5	C01-051-01300	HEADLIGHT BRACKET	1	
10-6	C01-051-01401	HEADLIGHT ADJUSTING PLATE	1	
10-7	9029040120002	BOLT M4x12L	9	
10-8	9005040120702	BOLT M4x12L	1	
10-9	9211050100803	SPRING WASHER , M5	1	
10-10	9214060100133	WASHER , M6	1	



www.max-vitaal.nl



10. FRONT SHROUD ASS'Y FOR BE01

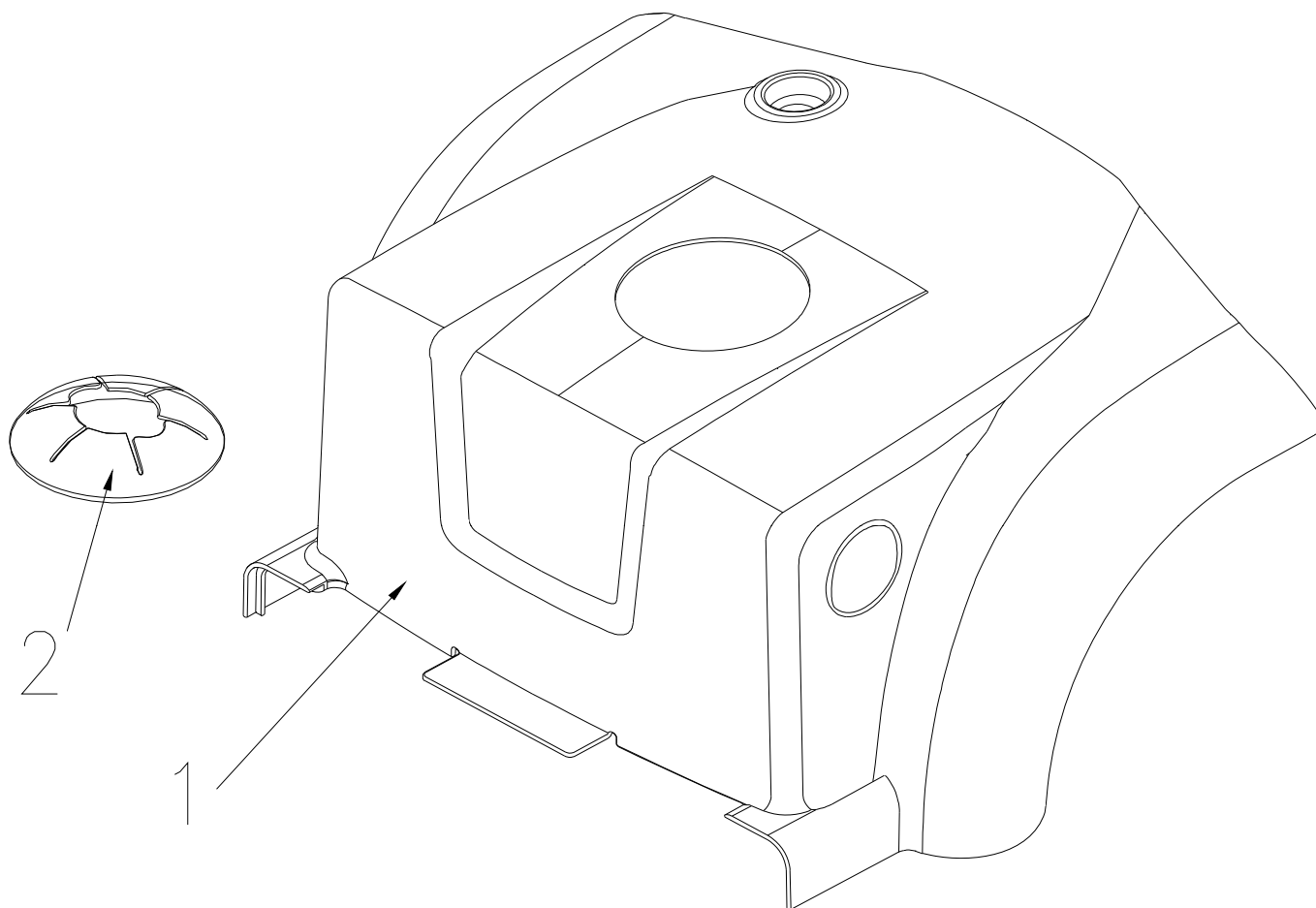


www.max-vitaal.nl

Fig&Index NO.	Parts	Parts Name	QTY	Remark
10	S08-054-01157	FRONT SHROUD ASS'Y , BLUE 57, w/ foot pad	1 SET	
10-1	C08-054-00157	FRONT SHROUD , BLUE 57	1	
10-2	C25-001-90101	RUBBER COVER , FRONT SHROUD	1	
10-3	9005060151002	CR ROUND HD SCREW,M6X15	4	
10-4	C13-052-00100	HEADLIGHT	1	
10-5	C01-051-01300	HEADLIGHT BRACKET	1	
10-6	C01-051-01401	HEADLIGHT ADJUSTING PLATE	1	
10-7	9029040120002	BOLT M4x12L	9	
10-8	9005040120702	BOLT M4x12L	1	
10-9	9211040100602	SPRING WASHER , M4	1	
10-10	9214040140102	WASHER M4xOD14xD4.2x1mm	1	
10-11	C26-040-00200	FOOTREST PAD , R	1	
10-12	C26-040-00100	FOOTREST PAD , L	1	
10-13	C08-029-00501	DAMAGE PROOF PIECE	2	
10-14	9906065000000	PIN ,M6.5	4	
10	S08-054-01166	FRONT SHROUD ASS'Y , BLACK 66, w/ foot pad	1 SET	
10-1	C08-054-00166	FRONT SHROUD , BLACK 66	1	
10-2	C25-001-90101	RUBBER COVER , FRONT SHROUD	1	
10-3	9005060151002	CR ROUND HD SCREW,M6X15	4	
10-4	C13-052-00100	HEADLIGHT	1	
10-5	C01-051-01300	HEADLIGHT BRACKET	1	
10-6	C01-051-01401	HEADLIGHT ADJUSTING PLATE	1	
10-7	9029040120002	BOLT M4x12L	9	
10-8	9005040120702	BOLT M4x12L	1	
10-9	9211040100602	SPRING WASHER , M4	1	
10-10	9214040140102	WASHER M4xOD14xD4.2x1mm	1	
10-11	C26-040-00200	FOOTREST PAD , R	1	
10-12	C26-040-00100	FOOTREST PAD , L	1	
10-13	C08-029-00501	DAMAGE PROOF PIECE	2	
10-14	9906065000000	PIN ,M6.5	4	
10	S08-054-01171	FRONT SHROUD ASS'Y , SILVER 71, w/ foot pad	1 SET	
10-1	C08-054-00171	FRONT SHROUD , SILVER 71	1	
10-2	C25-001-90101	RUBBER COVER , FRONT SHROUD	1	
10-3	9005060151002	CR ROUND HD SCREW,M6X15	4	
10-4	C13-052-00100	HEADLIGHT	1	
10-5	C01-051-01300	HEADLIGHT BRACKET	1	
10-6	C01-051-01401	HEADLIGHT ADJUSTING PLATE	1	
10-7	9029040120002	BOLT M4x12L	9	
10-8	9005040120702	BOLT M4x12L	1	
10-9	9211040100602	SPRING WASHER , M4	1	
10-10	9214040140102	WASHER M4xOD14xD4.2x1mm	1	
10-11	C26-040-00200	FOOTREST PAD , R	1	
10-12	C26-040-00100	FOOTREST PAD , L	1	
10-13	C08-029-00501	DAMAGE PROOF PIECE	2	
10-14	9906065000000	PIN ,M6.5	4	



www.max-vitaal.nl



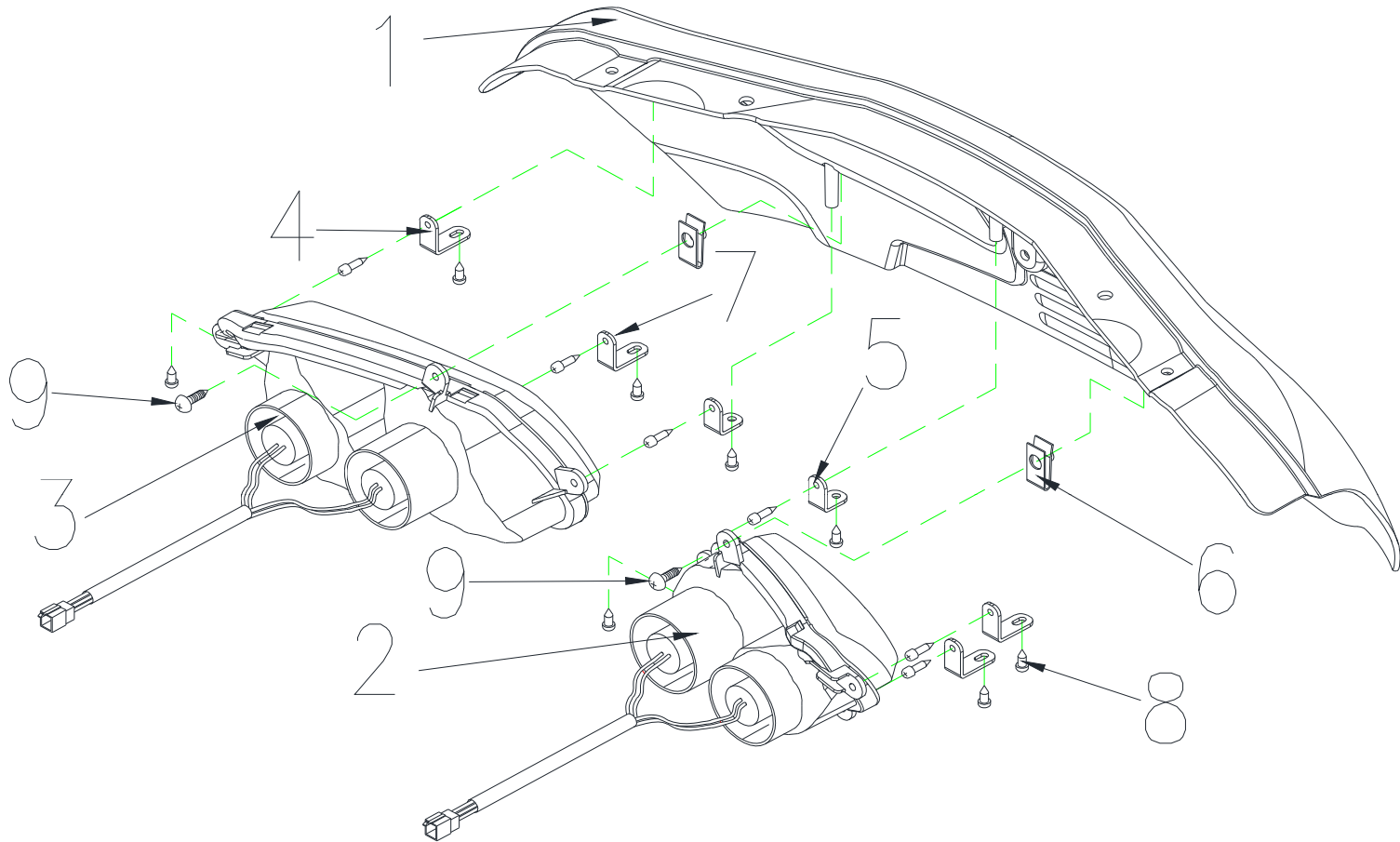
11.COVER BATTERY ASS'Y



Fig&Index NO.	Parts No.	Parts Name	QTY	Remark
11	S08-054-00557	COVER ASS'Y , BATTERY , BLUE 57 , W/O LABEL	1 SET	
11-1	C08-054-00357	COVER BATTERY , BLUE 57	1	
11-2	C25-039-00100	RUBBER COVER , REAR SHROUD	1	
11	S08-054-00566	COVER ASS'Y , BATTERY , BLACK 66 , W/O LABEL	1 SET	
11-1	C08-054-00366	COVER BATTERY , BLACK 66	1	
11-2	C25-039-00100	RUBBER COVER , REAR SHROUD	1	
11	S08-054-00571	COVER ASS'Y , BATTERY , RED 18 , W/O LABEL	1 SET	
11-1	C08-054-00371	COVER BATTERY , RED 18	1	
11-2	C25-039-00100	RUBBER COVER , REAR SHROUD	1	

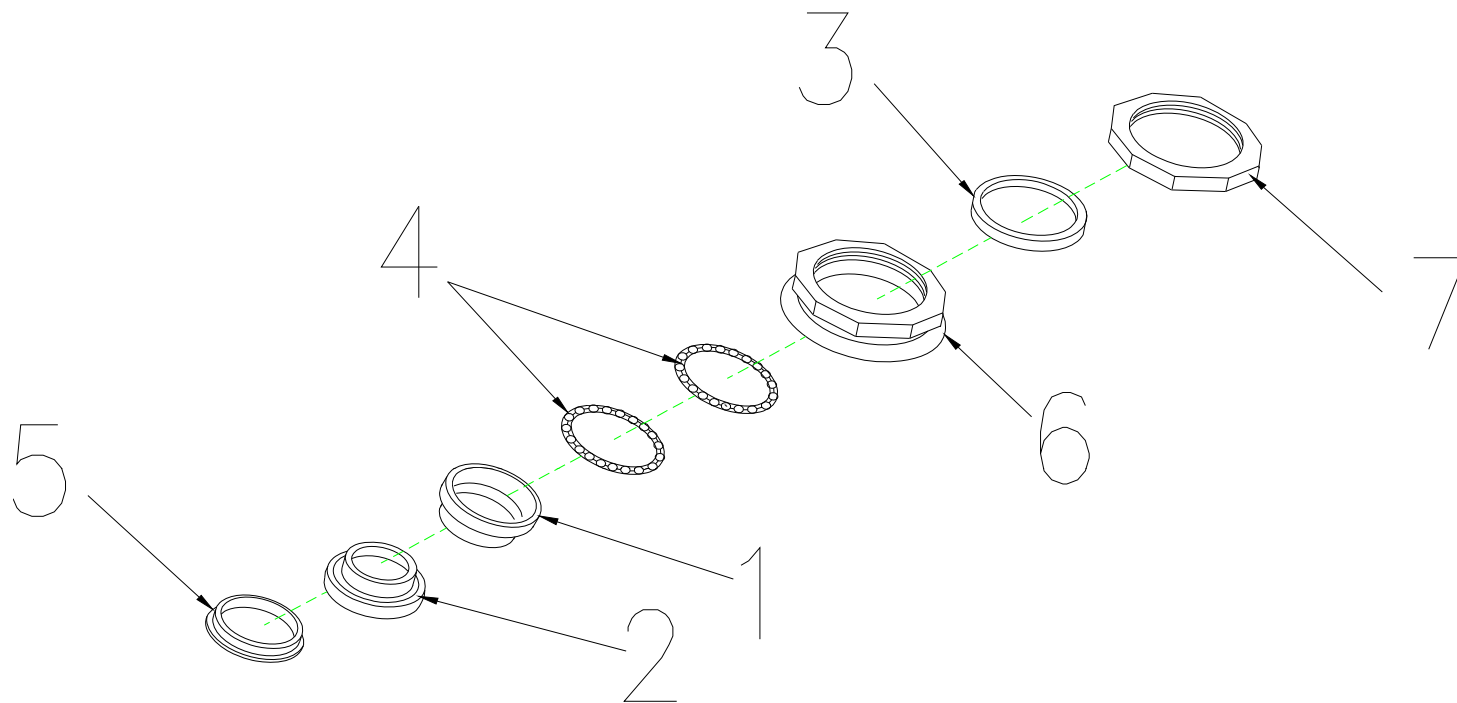


www.max-vitaal.nl





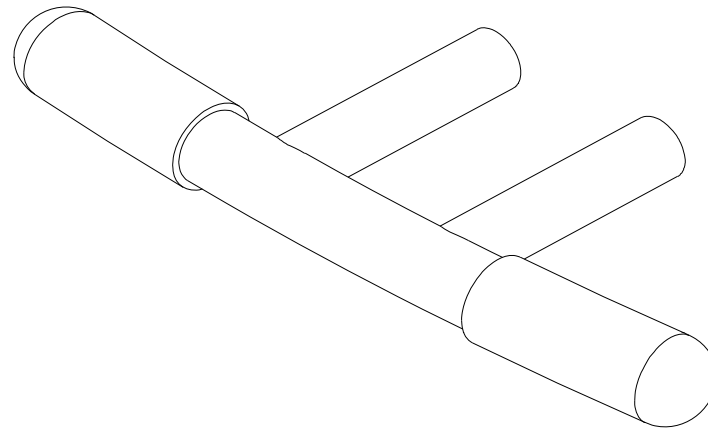
Fig&Index NO.	Parts No.	Parts Name	QTY	Remark
12	S08-054-00657	REAR SHROUD ASS'Y , BLUE 57 , W/O LABEL	1 SET	
12-1	C08-054-00257	REAR SHROUD , BLUE 57	1	
12-2	C14-052-00200	REAR SIGNAL LAMP , L	1	
12-3	C14-052-00100	REAR SIGNAL LAMP , R	1	
12-4	C01-051-01600	REAR SIGNAL LAMP BRACKET - LONG	4	
12-5	C01-051-01700	REAR SIGNAL LAMP BRACKET - SHORT	2	
12-6	9237040000003	U-TYPE SPRING NUT	2	
12-7	9005040100703	BOLT M4x10L	4	
12-8	9029040120002	BOLT M4x12L	6	
12-9	9029041500002	BOLT M4x15L	2	
12	S08-054-00666	REAR SHROUD ASS'Y , BLACK 66 , W/O LABEL	1 SET	
12-1	C08-054-00266	REAR SHROUD , BLACK 66	1	
12-2	C14-052-00200	REAR SIGNAL LAMP , L	1	
12-3	C14-052-00100	REAR SIGNAL LAMP , R	1	
12-4	C01-051-01600	REAR SIGNAL LAMP BRACKET - LONG	4	
12-5	C01-051-01700	REAR SIGNAL LAMP BRACKET - SHORT	2	
12-6	9237040000003	U-TYPE SPRING NUT	2	
12-7	9005040100703	BOLT M4x10L	4	
12-8	9029040120002	BOLT M4x12L	6	
12-9	9029041500002	BOLT M4x15L	2	
12	S08-054-00671	REAR SHROUD ASS'Y , SILVER 71 , W/O LABEL	1 SET	
12-1	C08-054-00271	REAR SHROUD , SILVER 71	1	
12-2	C14-052-00200	REAR SIGNAL LAMP , L	1	
12-3	C14-052-00100	REAR SIGNAL LAMP , R	1	
12-4	C01-051-01600	REAR SIGNAL LAMP BRACKET - LONG	4	
12-5	C01-051-01700	REAR SIGNAL LAMP BRACKET - SHORT	2	
12-6	9237040000003	U-TYPE SPRING NUT	2	
12-7	9005040100703	BOLT M4x10L	4	
12-8	9029040120002	BOLT M4x12L	6	
12-9	9029041500002	BOLT M4x15L	2	



13.REGULAR BEARING BALL SET



Fig&Index NO.	Parts No.	Parts Name	QTY	Remark
13	S02-001-00601	REGULAR BEARING BALL SET	1 SET	
13-1	C29-001-10101	CUP , UPPER	2	
13-3	9214290300353	COLLARLESS WASHER	1	
13-4	C29-001-10200	BEARING	2	
13-5	C29-001-10301	BEARING CAGE	1	
13-6	C29-001-10401	BEARING BUSH	1	
13-7	C29-001-10501	LOCKING NUT , BEARING	1	



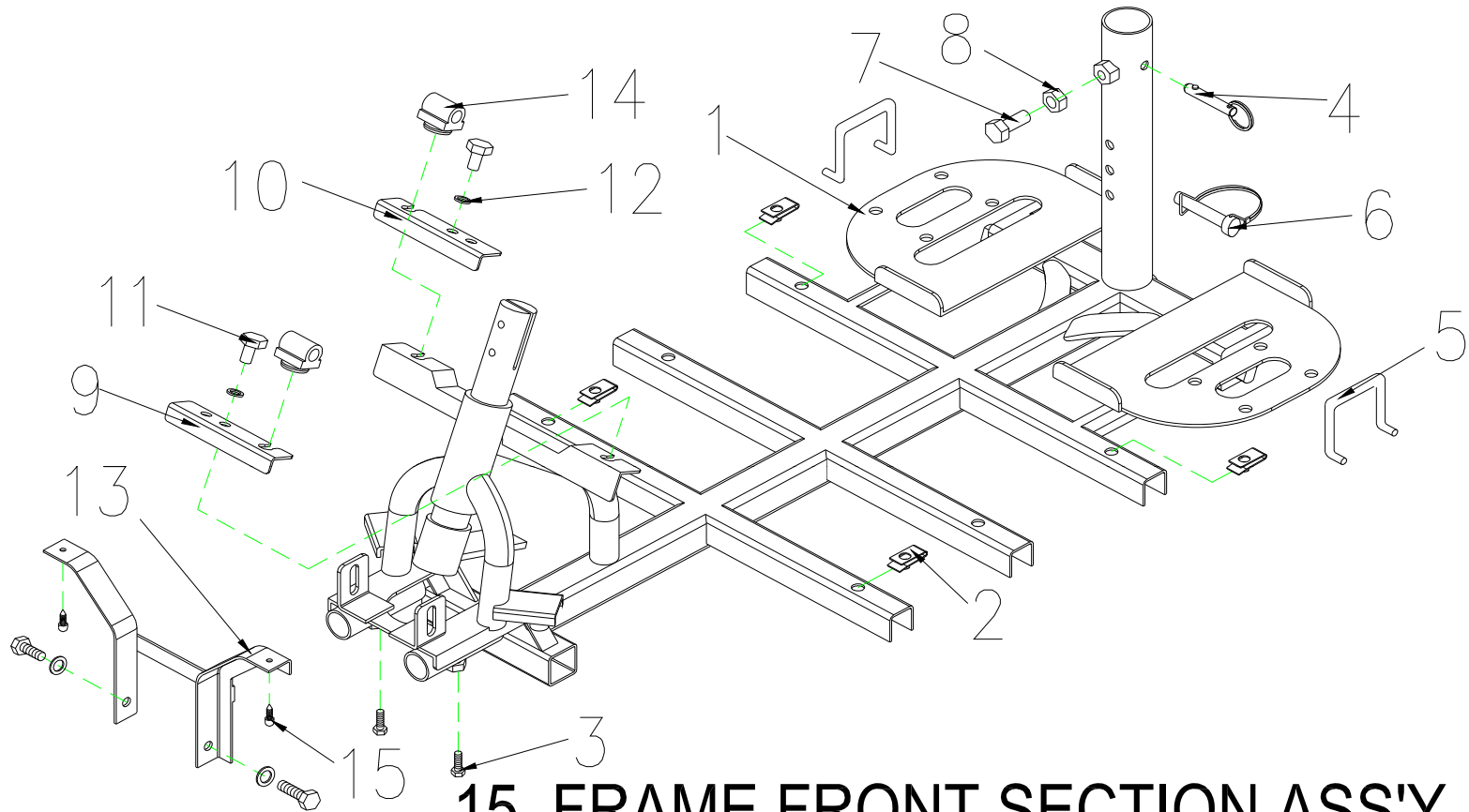
14.FRONT BUMPER



Fig&Index NO.	Parts No.	Parts Name	QTY	Remark
14	C01-054-00600	FRONT BUMPER	1	



www.max-vitaal.nl



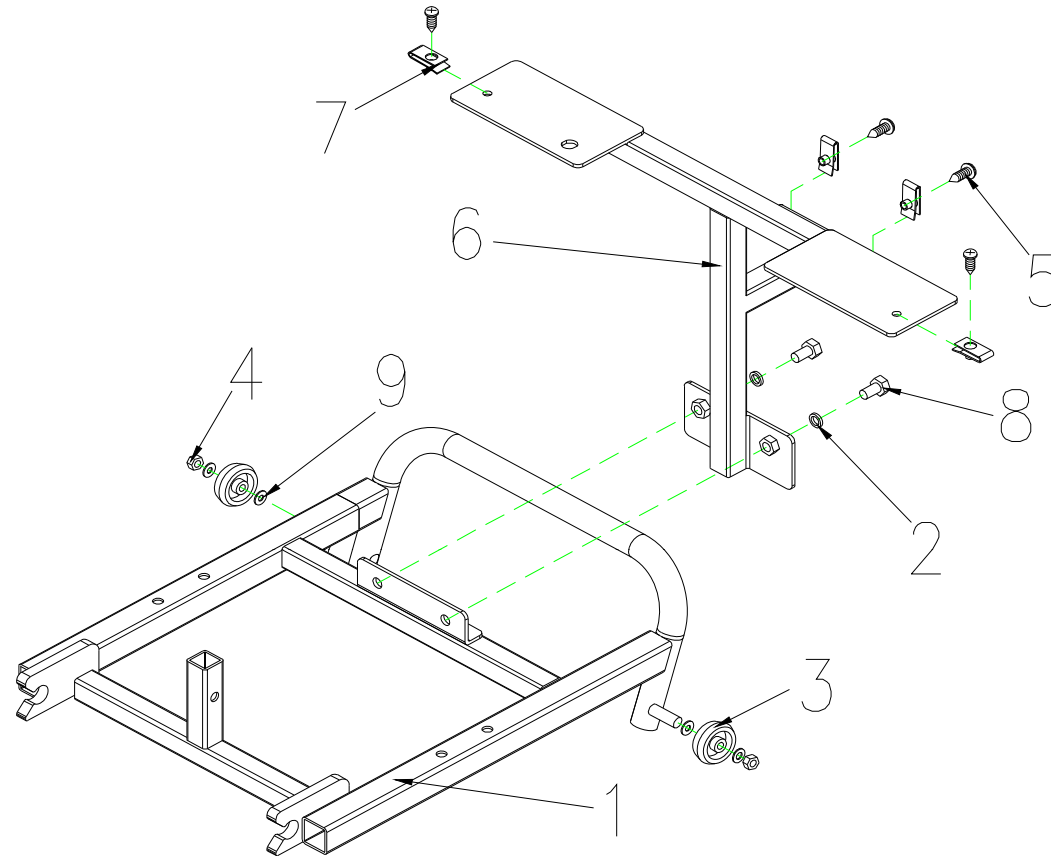
15. FRAME, FRONT SECTION ASS'Y



Fig&Index NO.	Parts No.	Parts Name	QTY	Remark
15	S01-054-00100	FRAME.FRONT SECTION ASS'Y	1 SET	
15-1	C01-054-00103	FRAME,FRONT SECTION	1	
15-2	9237060000000	U-TYPE SPRING NUT,M6	4	
15-3	9001080301251	CR ROUND HD SCREW,M8x30L	2	
15-4	C01-001-10501	PIN,FRAME	1	
15-5	C01-003-01200	CLIP,VELCRO STRIP	2	
15-6	C01-001-10501	PIN LOCK , M8x41L	1	
15-7	9002100201251	CR ROUND HD SCREW,M10x20L	1	
15-8	9202100601252	NUT , M10x1.25	1	
15-9	C01-039-00902	HOLDER , FRONT SHROUD , L	1	
15-10	C01-039-01002	HOLDER , FRONT SHROUD , R	1	
15-11	9002080201251	CR ROUND HD SCREW,M8xP1.25x20L	4	
15-12	9211080200142	SPRING WASHER 5/16	4	
15-13	C01-054-00801	HOLDER , FRONT SHROUD	1	
15-14	C01-008-01500	RUBBER DAMPER PAD	2	
15-15	9029040120002	BOLT M4x12L	2	



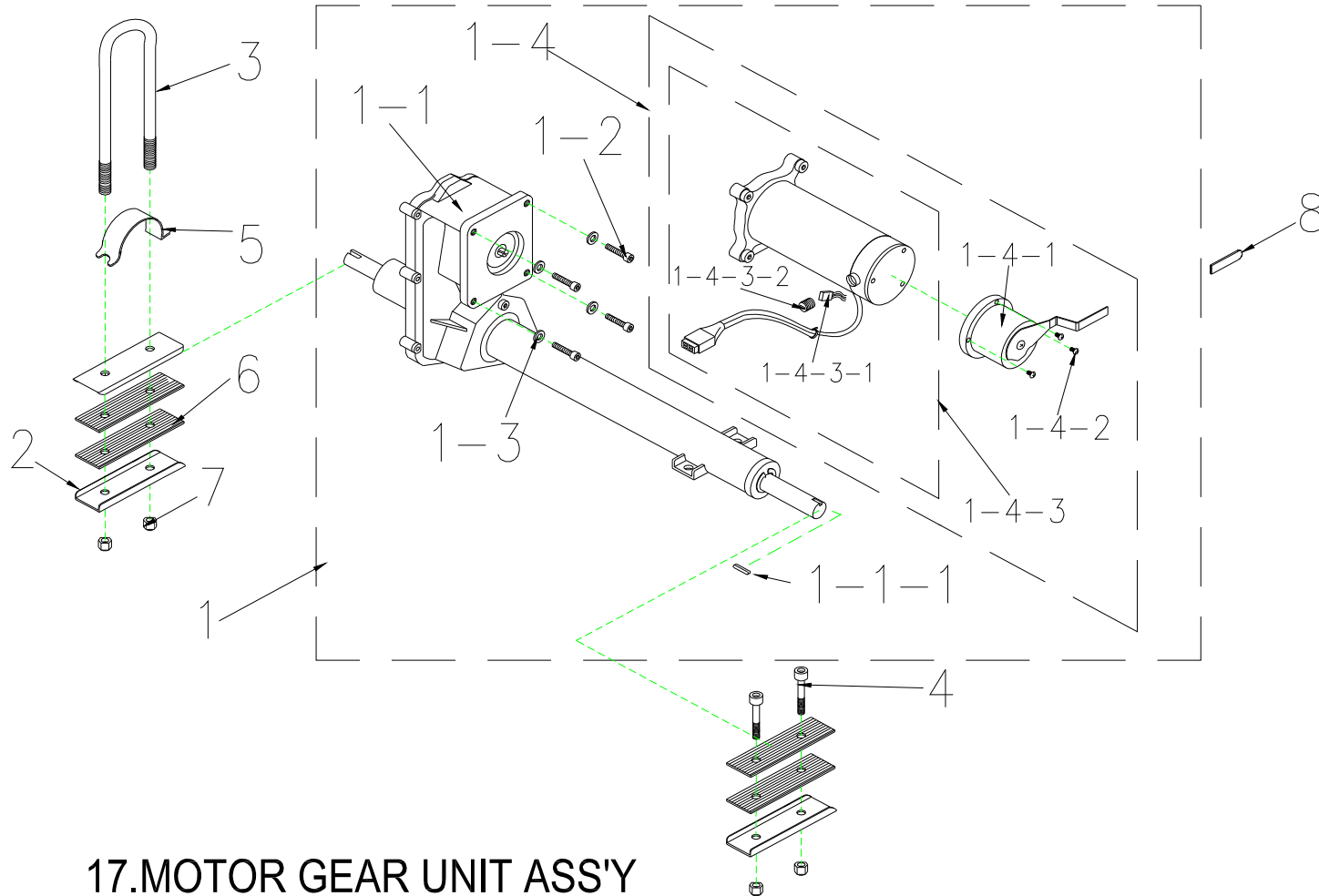
www.max-vitaal.nl



16. FRAME, REAR SECTION ASS'Y



Fig&Index NO.	Parts No.	Parts Name	QTY	Remark
16	S01-054-00200	FRAME,REAR SECTION ASS'Y	1 SET	
16-1	C01-054-00202	FRAME , REAR SECTION	1	
16-2	9211080200142	WASHER-5/16	2	
16-3	C28-007-00200	ANT-TIP WHEELS	2	
16-4	9201080801252	LOCK NUT , M8	2	
16-5	9005060151002	TAPPING SCREW , M6X15	4	
16-6	C01-054-00401	REAR BRACKET	1	
16-7	9237060000001	U-TYPE SPRING NUT,M6	4	
16-8	9002080201251	CR ROUND HD SCREW,M8x20L	2	
16-9	9214080150232	WASHER	4	



17.MOTOR GEAR UNIT ASS'Y

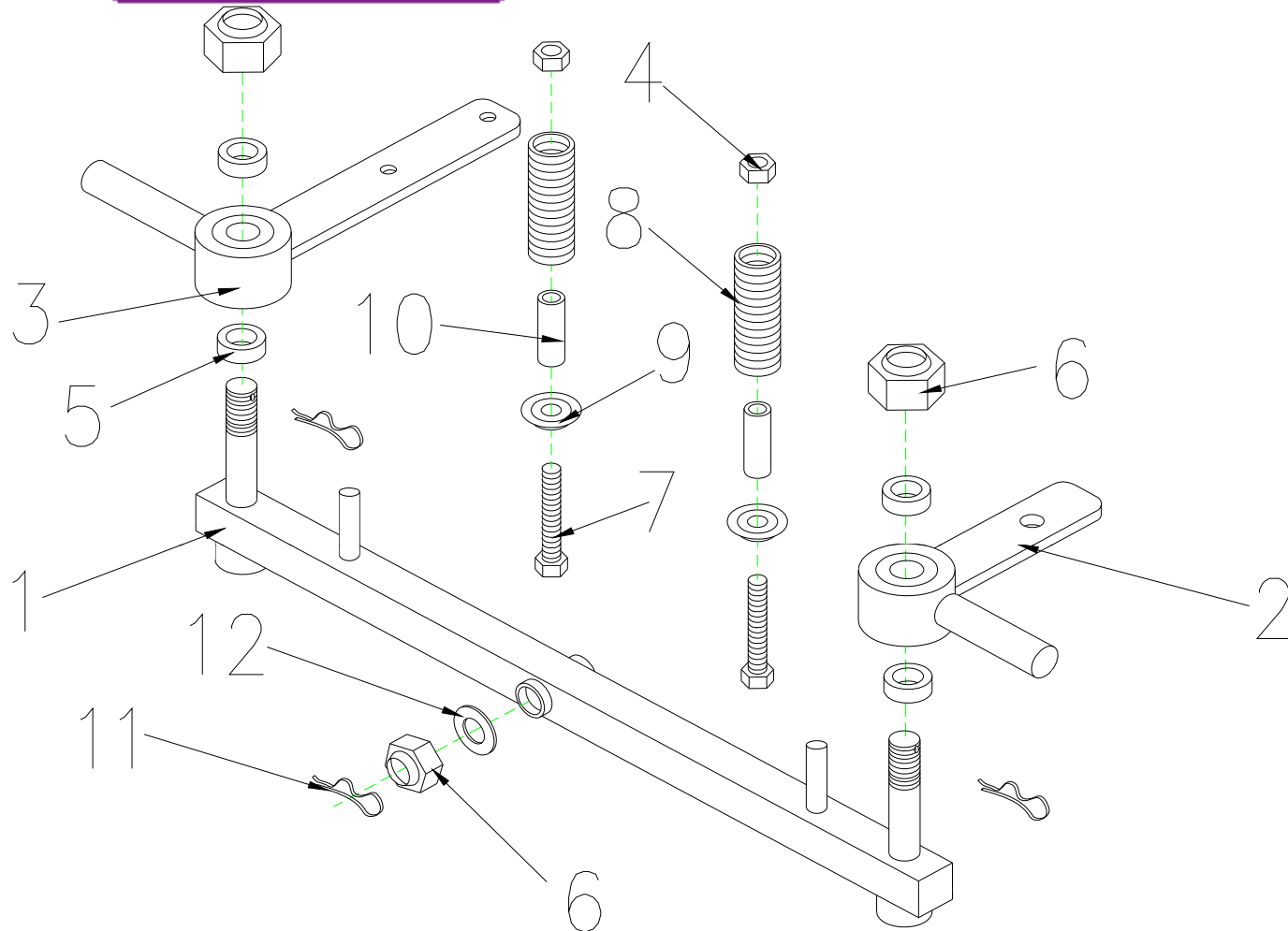


www.max-vitaal.nl

Fig&Index NO.	Parts No.	Parts Name	QTY	Remark
17	S09-054-00100	REAR DRIVE ASS'Y (W/I BOLT / NUT) , 9M/5300RPM/26 : 1	1	
17-1	C09-054-00106	REAR DRIVE ASS'Y (W/O BOLT / NUT) , 9M/5300RPM/26 : 1	1	
17-1-1	C09-054-00203	TRANSAXLE ONLY (W/O MOTOR) , 26 : 1	1	
17-1-1-1	9357005005035	PIN,5x5x35	2	
17-1-2	9021080201251	BOLT,M8x20	4	
17-1-3	9211080200142	SPRING WASHER 5/16	4	
17-1-4	C09-054-00302	MOTOR (W/I BRAKE) , 9M/5300RPM	1	
17-1-4-1	C09-054-00400	ELECTRO-MAGNETIC BRAKE , 40kgf/cm	1	
17-1-4-2	9004040120704	BOLT,M4x12L	3	
17-1-4-3	C09-029-02400	MOTOR ONLY	1	
17-1-4-3-1	C09-005-00601	CARBON BRUSH , 7X11	2	
17-1-4-3-2	C09-005-02400	CARBON BRUSH CAP , 7x11mm	2	
17-2	C09-001-10501	U-TYPE PLATE,MOTOR	3	
17-3	9024080950001	U-TYPE BOLT,M8X1.25-98HX15MM	1	
17-4	9035080501251	BOLT,M8x50L	2	
17-5	C09-001-10401	ARCH TYPE PLATE,MOTOR	1	
17-6	C05-001-90200	RUBBER DAMPER PAD,MOTOR	4	
17-7	9201080801252	LOCK NUT,M8x1.25	4	
17-8	C25-040-00100	PLUG	1	
17	S09-054-00300	REAR DRIVE ASS'Y (W/I BOLT / NUT) , 9M/5300RPM/26 : 1, for PG controller	1	After P129603 Use
17-1	C09-054-01102	REAR DRIVE ASS'Y (W/O BOLT / NUT) , 9M/5300RPM/26 : 1	1	
17-1-1	C09-054-00203	TRANSAXLE ONLY (W/O MOTOR) , 26 : 1	1	
17-1-1-1	9357005005035	PIN,5x5x35	2	
17-1-2	9021080201251	BOLT,M8x20	4	
17-1-3	9211080200142	SPRING WASHER 5/16	4	
17-1-4	C09-054-01200	MOTOR (W/I BRAKE) , 9M/5300RPM	1	
17-1-4-1	C09-054-00400	ELECTRO-MAGNETIC BRAKE , 40kgf/cm	1	
17-1-4-2	9004040120704	BOLT,M4x12L	3	
17-1-4-3	C09-029-02400	MOTOR ONLY	1	
17-1-4-3-1	C09-005-00601	CARBON BRUSH , 7X11	2	
17-1-4-3-2	C09-005-02400	CARBON BRUSH CAP , 7x11mm	2	
17-2	C09-001-10500	U-TYPE PLATE,MOTOR	3	
17-3	9024080950001	U-TYPE BOLT,M8X1.25-98HX15MM	1	
17-4	9035080501251	BOLT,M8x50L	2	
17-5	C09-001-10400	ARCH TYPE PLATE,MOTOR	1	
17-6	C05-001-90200	RUBBER DAMPER PAD,MOTOR	4	
17-7	9201080801252	LOCK NUT,M8x1.25	4	
17-8	C25-040-00100	PLUG	1	



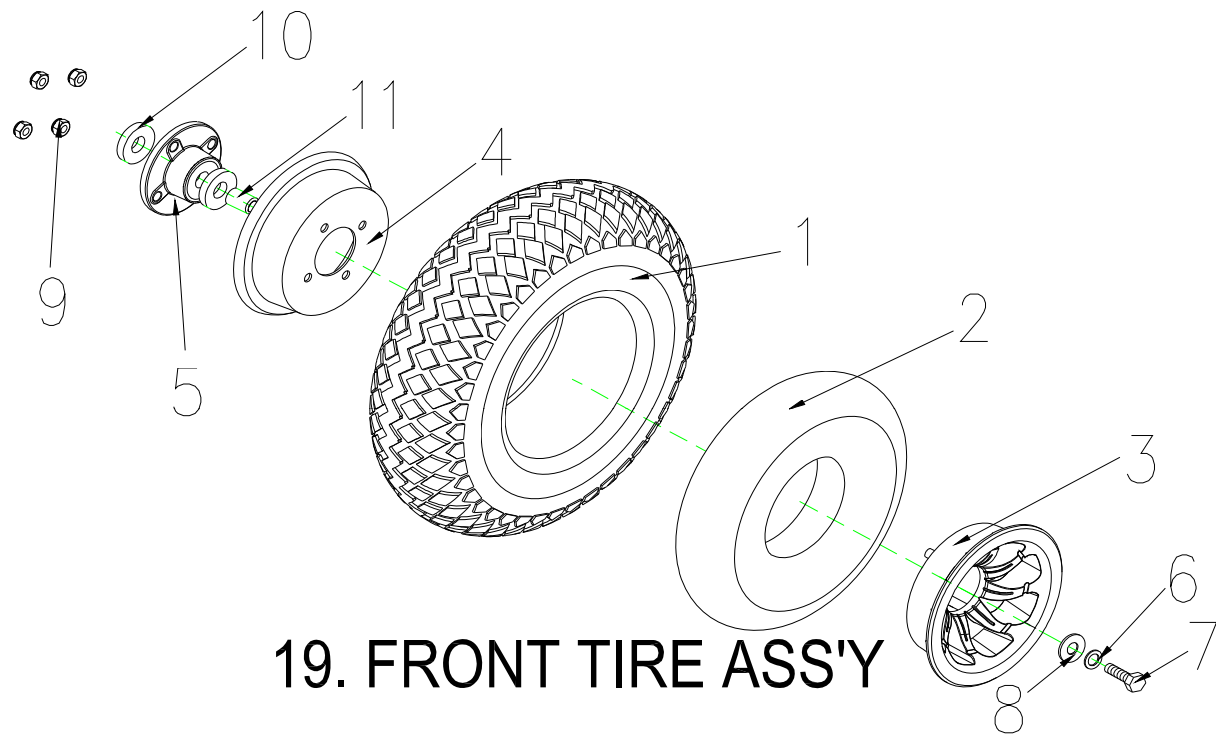
www.max-vitaal.nl



18. FRONT FORK ASS'Y



Fig&Index NO.	Parts No.	Parts Name	QTY	Remark
18	S03-054-00100	FRONT FORK ASS'Y	1 SET	
18-1	C03-033-00100	FRONT FORK	1	
18-2	C03-001-00207	LH STEERING AXLE , W/I BEARING 6001ZZ	1	
18-3	C03-001-00107	RH STEERING AXLE , W/I BEARING 6001ZZ	1	
18-4	9201080801252	LOCKING NUT , M8xP1.25	2	
18-5	C03-001-10800	SPACER , 20x15XT5	4	
18-6	9201121201752	NUT , M12xP1.75	3	
18-7	9036080901251	FLANGE BOLT , M8x90	2	
18-8	C03-039-00401	SPRING	2	
18-9	9214040100262	SPRING WASHER	2	
18-10	C03-036-00501	SPACER , 9X32	2	
18-11	9363018000002	R TYPE PIN , 1.8mm	3	
18-12	9214120250242	WASHER	1	
18-13	9204121251252		1	



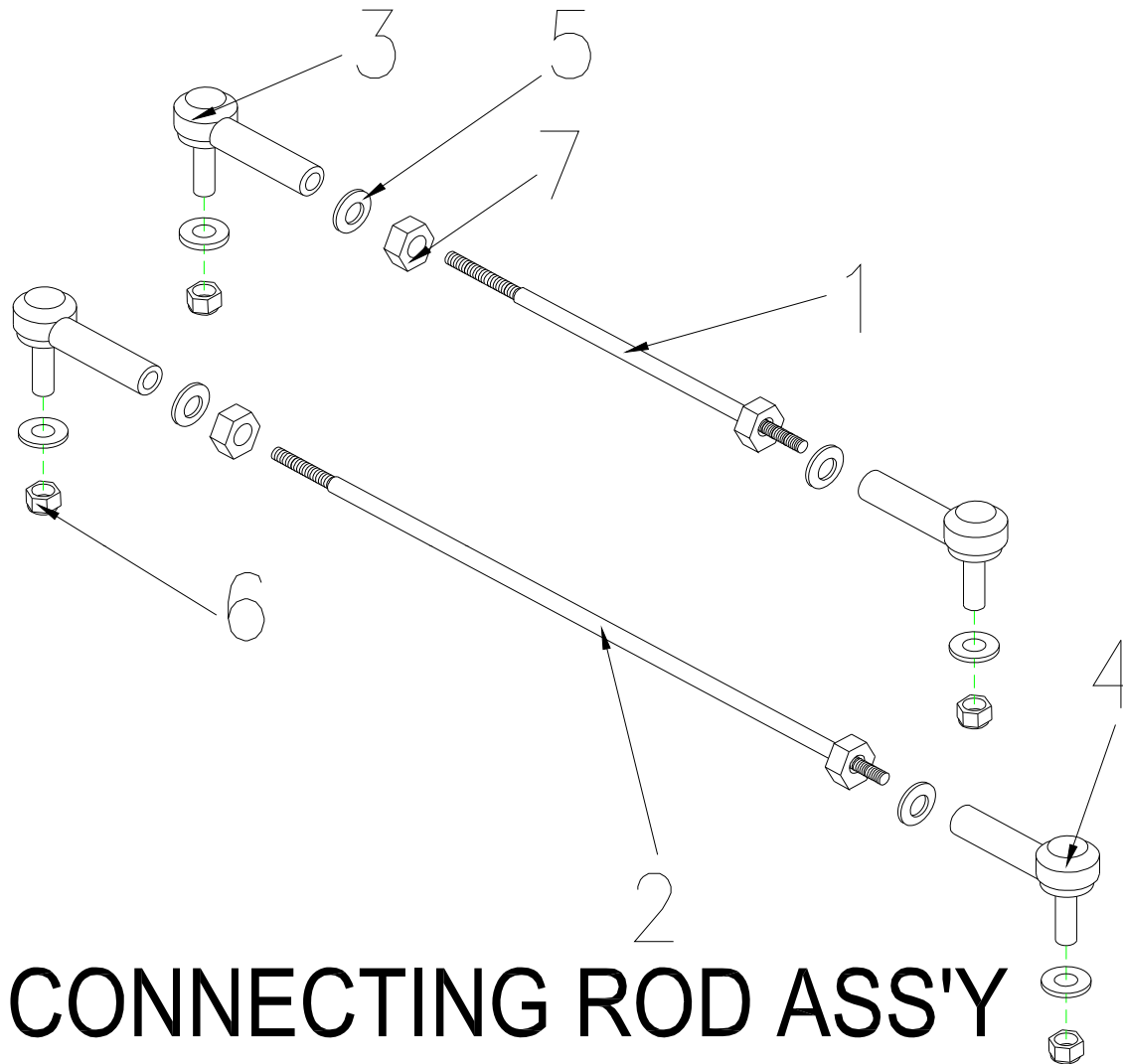
19. FRONT TIRE ASS'Y



Fig&Index NO.	Parts No.	Parts Name	QTY	Remark
19	S05-054-00100	FRONT TIRE ASSY, GRAY , 4.00-5 C154-7	1 SET	
19-1	C05-005-01400	TIRE , GRAY , 4.00-5 C154-7	1	
19-2	C05-005-00201	INNER TUBE	1	
19-3	C06-029-00102	WHEEL RIM , ALUNINUM , 5"	1	
19-4	C05-005-00401	WHEEL RIM , STEEL , 5"	1	
19-5	C05-001-10501	AXLE COLLAR,FRONT WHEEL	1	
19-6	9211080200142	SPRING WASHER,5/16	1	
19-7	9002080201251	BOLT,M8x20L	1	
19-8	9214080300232	WASHER,5/16	1	
19-9	9201080801252	LOCK NUT,M8x1.25	4	
19-10	9653062020002	BEARING , 6202ZZ	2	
19-11	C05-051-00200	SPACER	1	
19	S05-005-00200	FRONT TIRE ASSY, BLACK , 4.00-5 C154-7	1	for CERES DELTA BAR VERSION
19-1	C05-005-00100	TIRE , BLACK , 4.00-5 C154-7	1	
19-2	C05-005-00201	INNER TUBE	1	
19-3	C06-029-00102	WHEEL RIM , ALUNINUM , 5"	1	
19-4	C05-005-00401	WHEEL RIM , STEEL , 5"	1	
19-5	C05-001-10501	AXLE COLLAR,FRONT WHEEL	1	
19-6	9211080200142	SPRING WASHER,5/16	1	
19-7	9002080201251	BOLT,M8x20L	1	
19-8	9214080300232	WASHER,5/16	1	
19-9	9201080801252	LOCK NUT,M8x1.25	4	
19-10	9653062020002	BEARING , 6202ZZ	2	
19-11	C05-051-00200	SPACER	1	



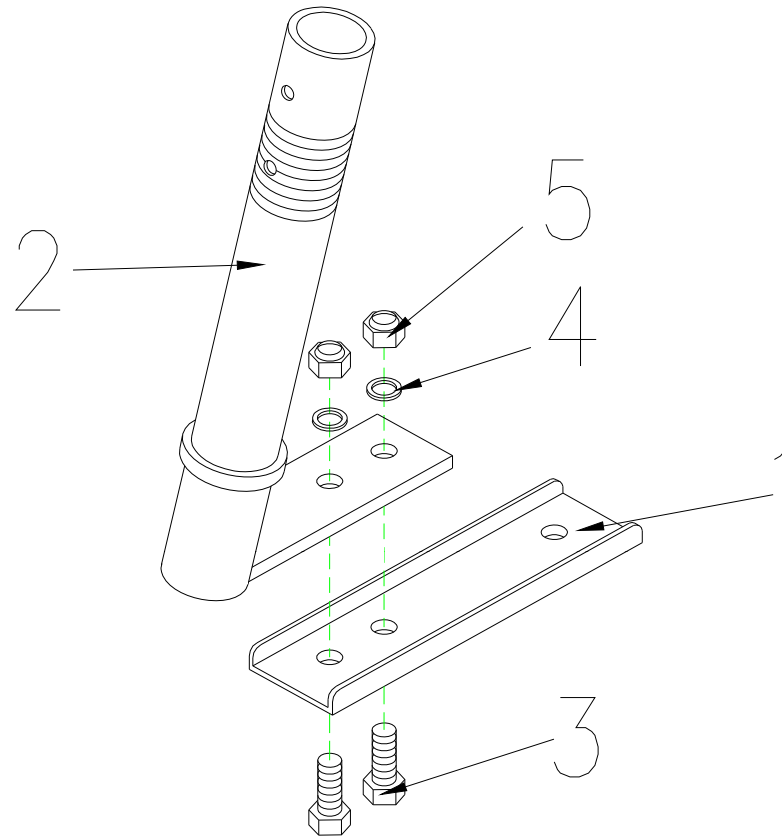
www.max-vitaal.nl



20.CONNECTING ROD ASS'Y



Fig&Index NO.	Parts No.	Parts Name	QTY	Remark
20	S03-033-00400	CONNECTING ROD ASS'Y	1 SET	
20-1	C03-033-00201	CONNECTION ROD, GUIDING	1	
20-2	C03-033-00301	CONNECTION ROD, FRONT FORK	1	
20-3	C19-001-10801	RBL8 JOINT, R	2	
20-4	C19-001-00101	RBL8 JOINT, L	2	
20-5	9211080200142	SPRING WASHER, 5/16	8	
20-6	9201080801252	LOCK NUT, M8x1.25	4	
20-7	9202080601251	NUT , M8x1.25	2	



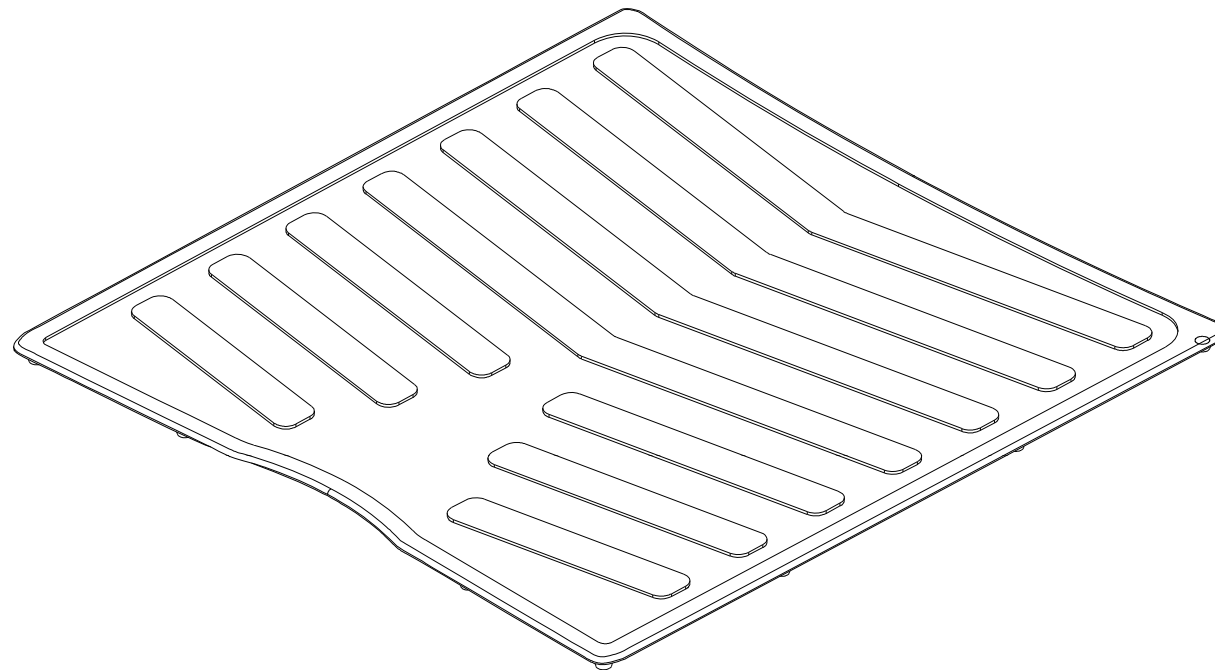
21. L TYPE STEERING AXLE ASS'Y



Fig&Index NO.	Parts No.	Parts Name	QTY	Remark
21	S03-003-00300	L TYPE STEERING AXLE ASS'Y	1 SET	
21-1	C03-001-10600	STEERING ARM	1	
21-2	C03-003-00501	L TYPE STEERING AXLE	1	
21-3	9002080201251	BOLT, M8X20L	2	
21-4	9211080200142	WASHER , 5/16	2	
21-5	9201080801252	LOCK NUT , M8X1.25	2	



www.max-vitaal.nl



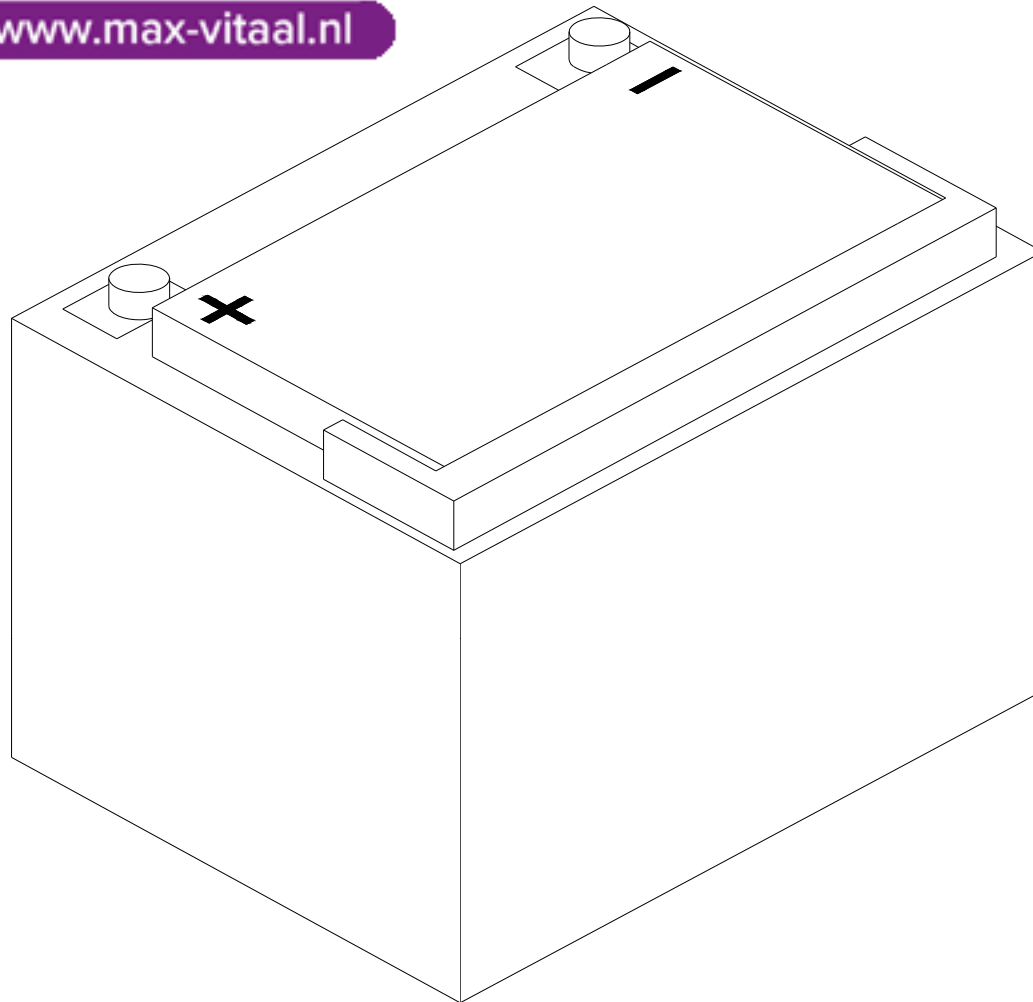
22. CARPET



Fig&Index NO.	Parts No.	Parts Name	QTY	Remark
22	C21-054-00100	CARPET , RUBBER	1	



www.max-vitaal.nl



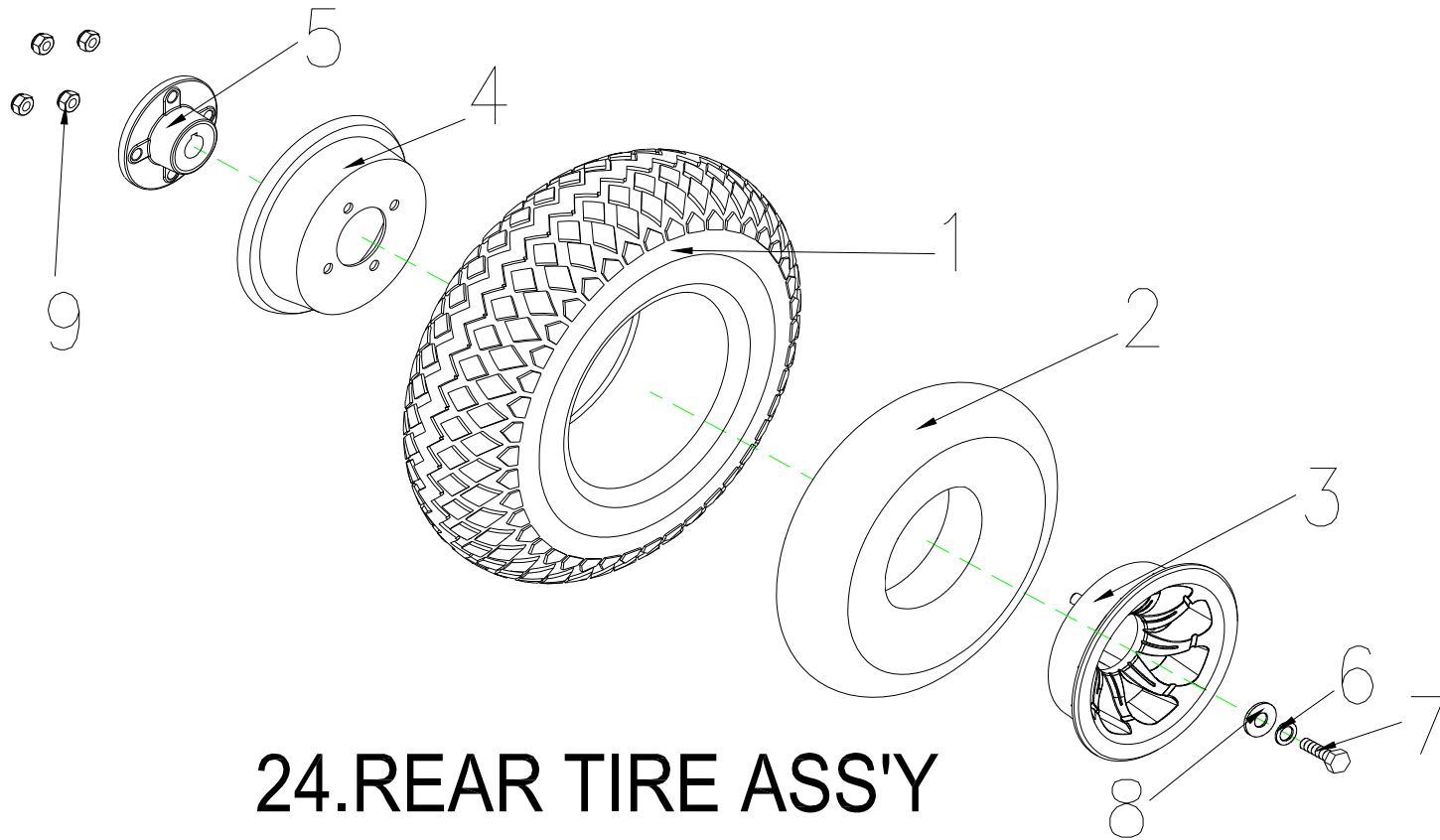
23. BATTERY U1



Fig&Index NO.	Parts No.	Parts Name	QTY	Remark
23	C17-001-23402	BATTERY , U1	1	



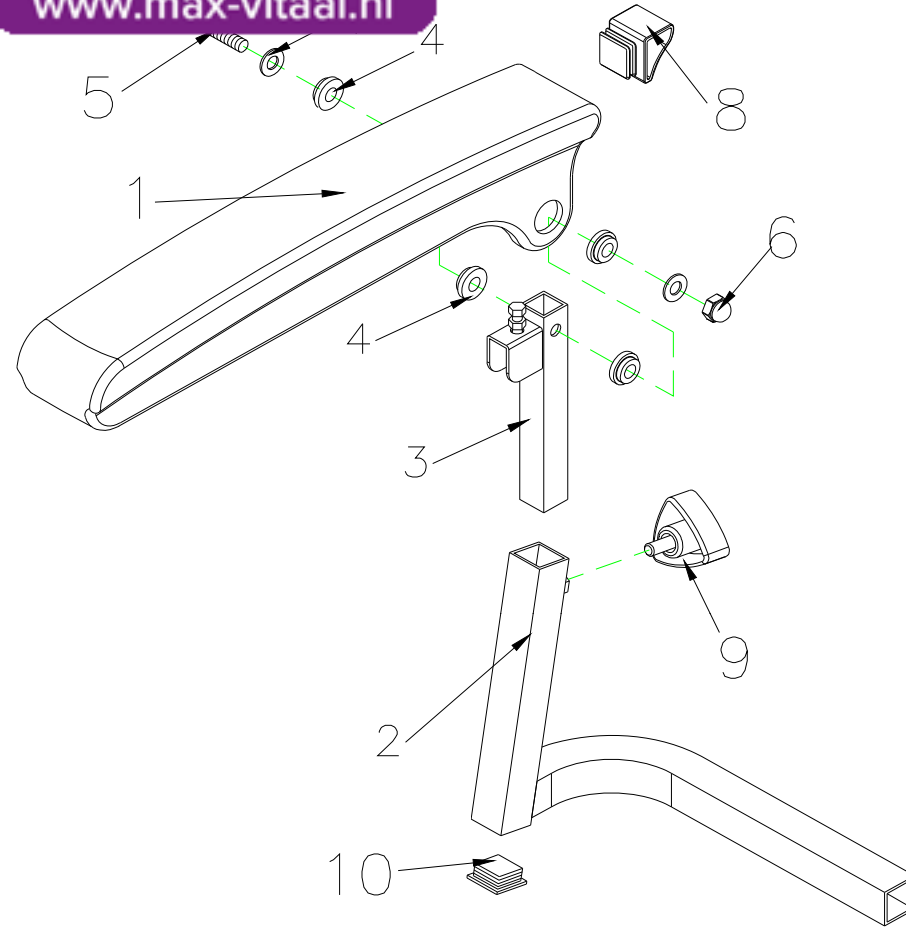
www.max-vitaal.nl



24.REAR TIRE ASS'Y



Fig&Index NO.	Parts No.	Parts Name	QTY	Remark
24	S06-054-00100	REAR TIRE ASSY,GRAY , 400-5-C154-7	1 SET	
24-1	C05-005-01400	TIRE , GRAY , 400-5-C154-7	1	
24-2	C05-005-00201	INNER TUBE	1	
24-3	C06-029-00102	WHEEL RIM , ALUNINUM ,5"	1	
24-4	C05-005-00401	WHEEL RIM , STEEL , 5"	1	
24-5	C06-001-10202	AXLE COLLAR,REAR WHEEL	1	
24-6	9211080200142	SPRING WASHER,5/16	1	
24-7	9002080201255	BOLT,M8x20L	1	
24-8	9214080300232	WASHER,5/16	1	
24-9	9201080801252	LOCK NUT,M8x1.25	4	
24	S06-054-00200	REAR TIRE ASSY,BLACK , 400-5-C154-7	1 SET	for CERES DELTA BAR VERSION
24-1	C05-005-00100	TIRE , BLACK , 400-5-C154-7	1	
24-2	C05-005-00201	INNER TUBE	1	
24-3	C06-029-00102	WHEEL RIM , ALUNINUM ,5"	1	
24-4	C05-005-00401	WHEEL RIM , STEEL , 5"	1	
24-5	C06-001-10202	AXLE COLLAR,REAR WHEEL	1	
24-6	9211080200142	SPRING WASHER,5/16	1	
24-7	9002080201255	BOLT,M8x20L	1	
24-8	9214080300232	WASHER,5/16	1	
24-9	9201080801252	LOCK NUT,M8x1.25	4	



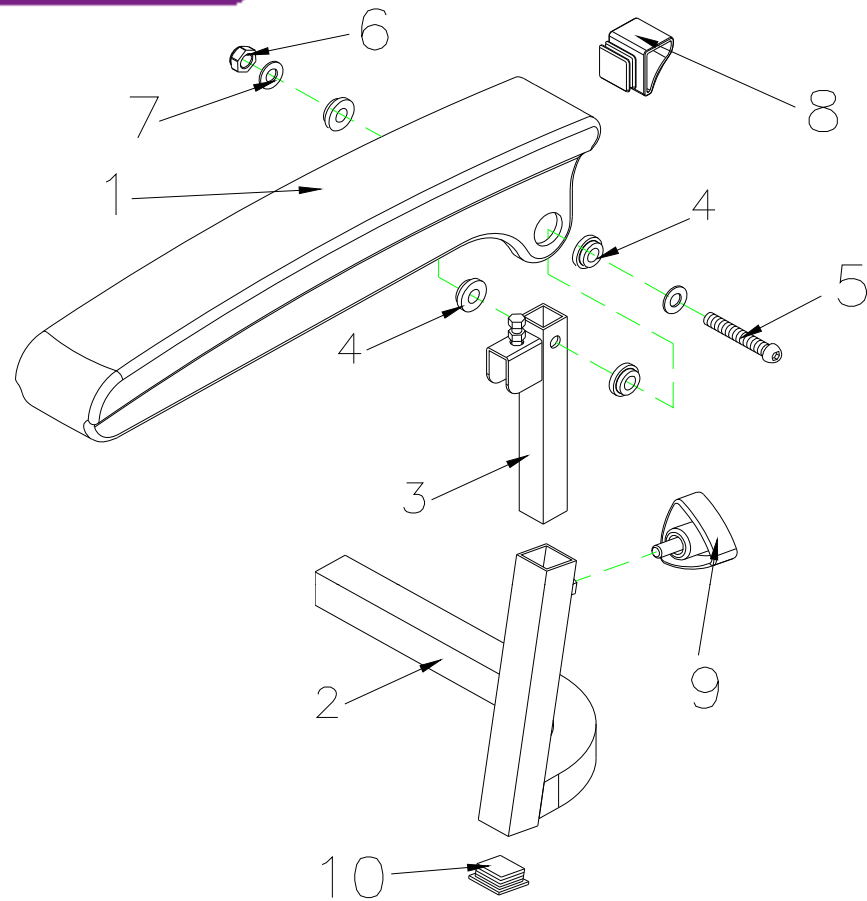
25.ARMREST COMP. , R



Fig&Index NO.	Parts No.	Parts Name	QTY	Remark
25	S07-053-00300	ARMREST COMP. , R	1 SET	
25-1	C07-044-00504	ARMREST , UPPER	1 SET	
25-2	C07-053-00301	ARMREST , LOWER , R	1 SET	
25-3	C07-053-00102	ARMREST , MIDDLE	1	
25-4	C07-044-01701	WASHER , 8mm	4	
25-5	9032080551251	BOLT , M8x55	1	
25-6	9206081251252	LOCK NUT , M8x1.25	1	
25-7	9214080150232	WASHER-M8	2	
25-8	C07-044-00601	PLUG	1	
25-9	C30-001-10202	BOLT,W/I KNOB , M8x20	1	
25-10	C26-001-00500	PLUG 1"X1"	1	



www.max-vitaal.nl



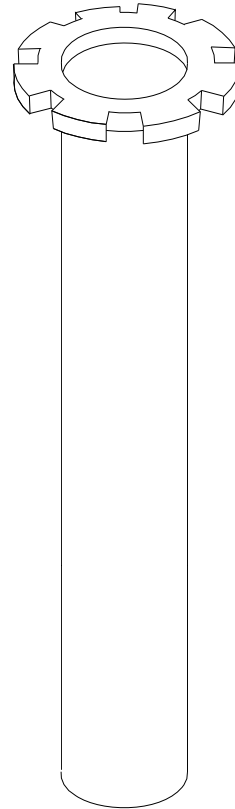
26.ARMREST COMP. , L



Fig&Index NO.	Parts No.	Parts Name	QTY	Remark
26	S07-053-00100	ARMREST COMP. , L	1	
26-1	C07-044-00504	ARMREST , UPPER	1	
26-2	C07-053-00201	ARMREST ,LOWER, L	1	
26-3	C07-053-00102	ARMREST , MIDDLE	1	
26-4	C07-044-01701	WASHER , 8mm	4	
26-5	9032080551251	HEXAGON BOLT , M8x55(ED)	1	
26-6	9206081251252	LOCK NUT , M8x1.25	1	
26-7	9214080150232	WASHER , M8	2	
26-8	C07-044-00601	PLUG	1	
26-9	C30-001-10202	BOLT,W/I KNOB , M8x20	1	
26-10	C26-001-00500	PLUG 1"X1"	1	



www.max-vitaal.nl



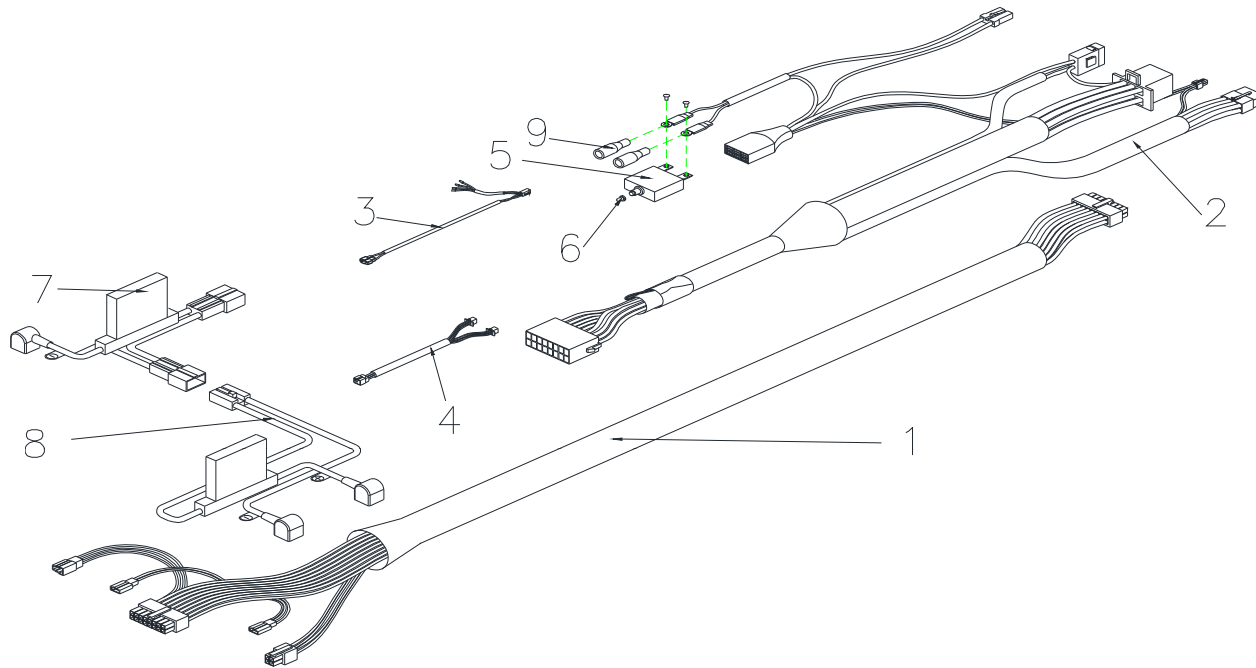
27. SEAT POST



Fig&Index NO.	Parts No.	Parts Name	QTY	Remark
27	C07-023-00104	SEAT POST	1	



www.max-vitaal.nl



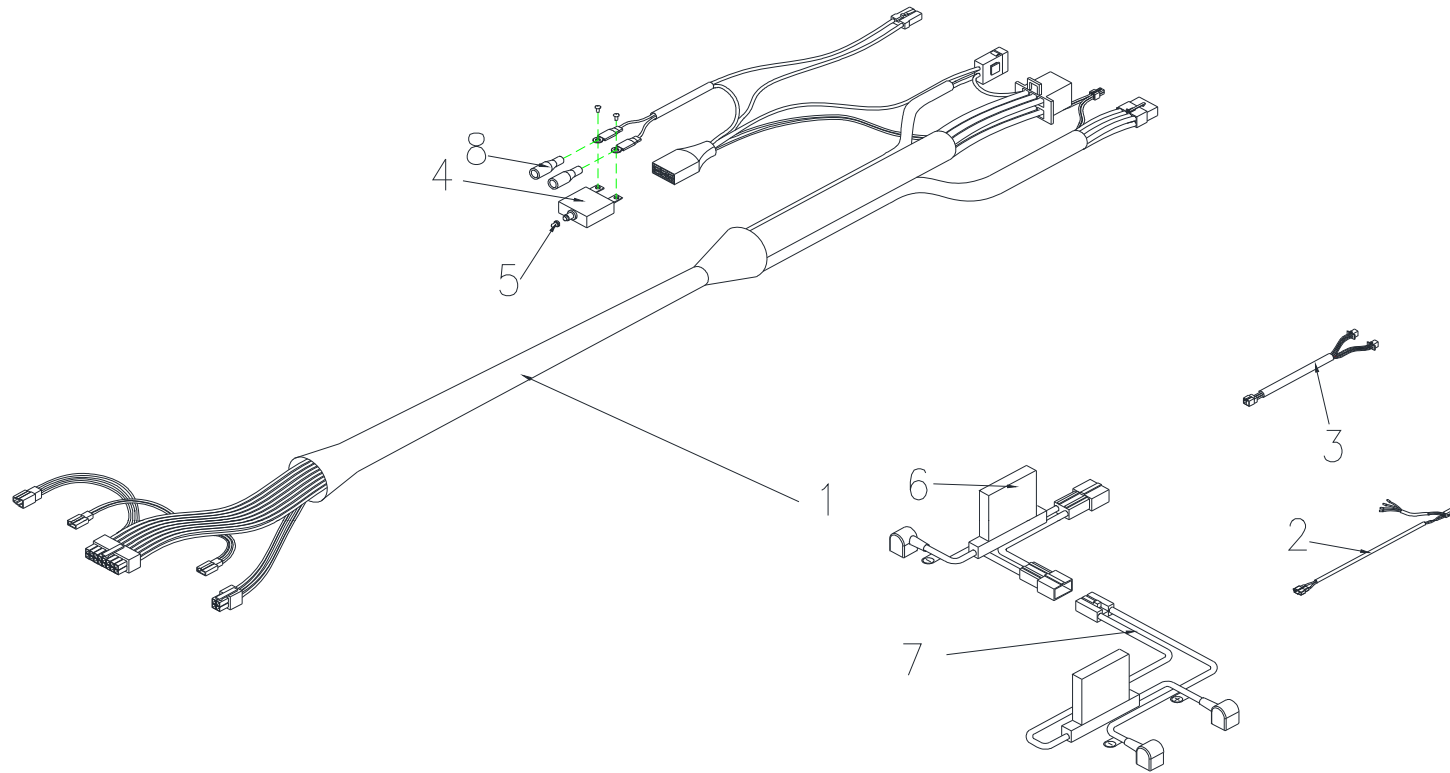
28.WIRE HARNESS ASS'Y



Fig&Index NO.	Parts No.	Parts Name	QTY	Remark
28	S18-054-00200	WIRE HARNESS ASS'Y, with PG	1 SET	FOR PG CONTROLLER
28-1	C18-054-00500	WIRE HARNESS ASS'Y,FRONT	1	
28-2	C18-054-00601	WIRE HARNESS ASS'Y,REAR	1	
28-3	C18-054-00302	WIRE HARNESS FOR SIGNAL LIGHT	1	
28-4	C18-051-00300	CABLE UNIT , REAR SHROUD	1	
28-5	C16-001-10603	50A BREAKER,M11	1	
28-6	C16-009-00401	TUBE,PROTECT SWITCH	1	
28-7	C18-001-10305	BATTERY CABLE , W/I FUSE(+)	1	
28-8	C18-001-10404	BATTERY CABLE , W/I FUSE(-)	1	
28-9	C26-001-00800	PLUG	2	
28-10	C16-051-00101	RELAY, BRAKE LIGHT	1	



www.max-vitaal.nl



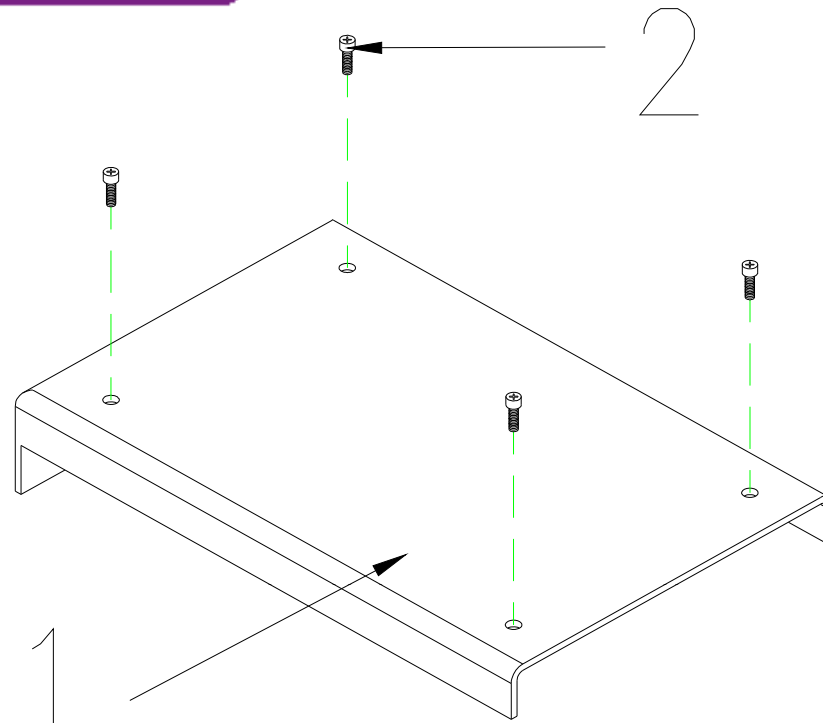
28.WIRE HARNESS ASS'Y



Fig&Index NO.	Parts No.	Parts Name	QTY	Remark
28	S18-054-00400	WIRE HARNESS ASS'Y, FRONT TO REAR, FOR CTE CONTROLLER	1 SET	
28-1	C18-054-00801	WIRE HARNESS ASS'Y	1	
28-2	C18-054-00302	WIRE HARNESS FOR SIGNAL LIGHT	1	
28-3	C18-051-00300	CABLE UNIT , REAR SHROUD	1	
28-4	C16-001-10603	50A BREAKER,M11	1	
28-5	C16-009-00401	TUBE,PROTECT SWITCH	1	
28-6	C18-001-10304	BATTERY CABLE , W/I FUSE(+)	1	
28-7	C18-001-10404	BATTERY CABLE , W/I FUSE(-)	1	
28-8	C26-001-00800	PLUG	2	
28	S18-054-00500	WIRE HARNESS ASS'Y, FRONT TO REAR, FOR PG CONTROLLER	1 SET	FOR PG CONTROLLER
28-1	C18-054-00704	WIRE HARNESS ASS'Y	1	
28-2	C18-054-00302	WIRE HARNESS FOR SIGNAL LIGHT	1	
28-3	C18-051-00300	CABLE UNIT , REAR SHROUD	1	
28-4	C16-001-10603	50A BREAKER,M11	1	
28-5	C16-009-00401	TUBE,PROTECT SWITCH	1	
28-6	C18-001-10305	BATTERY CABLE , W/I FUSE(+)	1	
28-7	C18-001-10404	BATTERY CABLE , W/I FUSE(-)	1	
28-8	C26-001-00800	PLUG	2	
28-9	C16-051-00101	RELAY, BRAKE LIGHT	1	



www.max-vitaal.nl



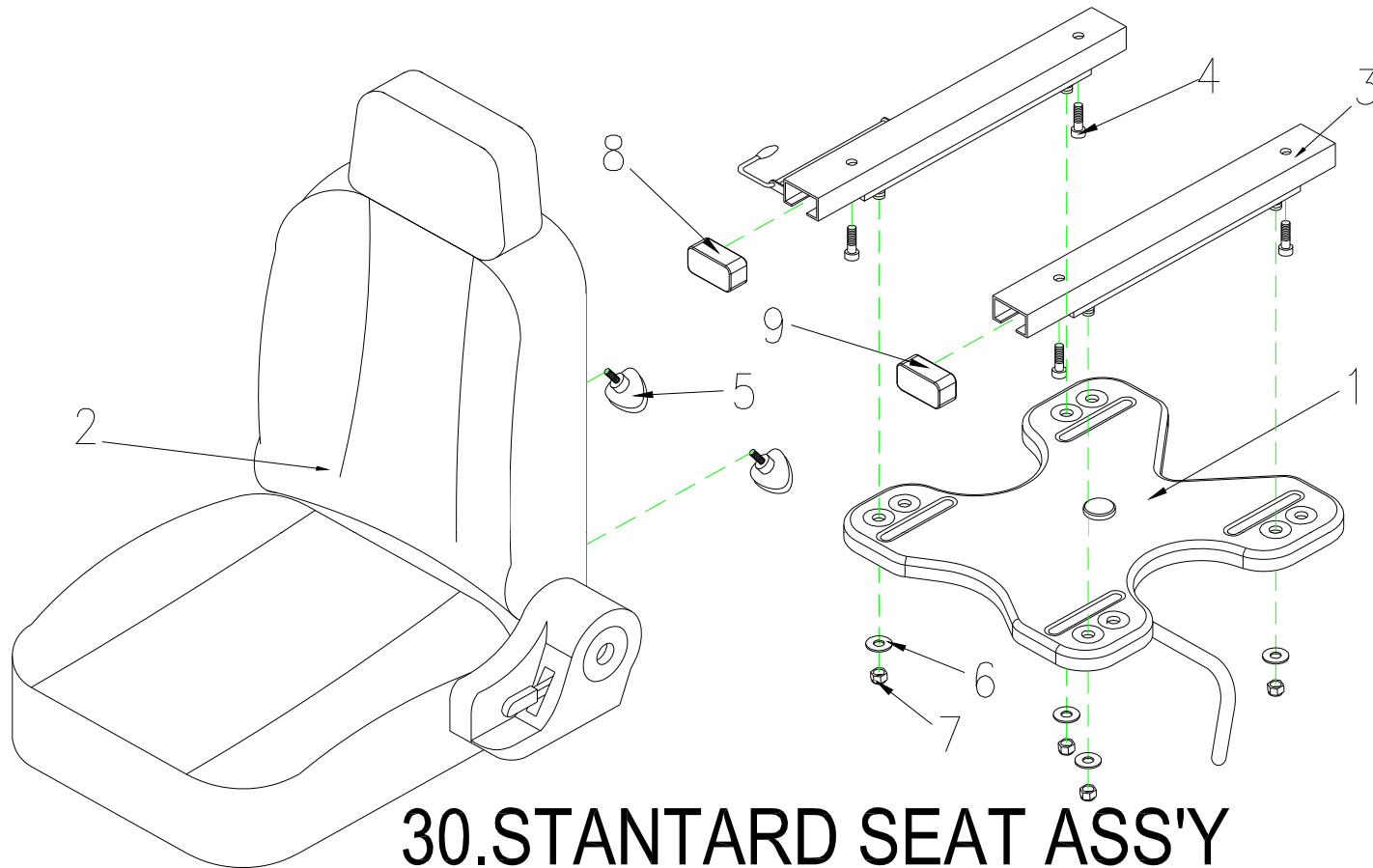
29. CONTROLLER HOLDER ASS'Y



Fig&Index NO.	Parts No.	Parts Name	QTY	Remark
29	S01-054-00300	HOLDER , CONTROLLER ASS'Y	1 SET	
29-1	C01-054-00503	HOLDER , CONTROLLER	1	
29-2	9004040200703	BOLT , M4x20L	4	



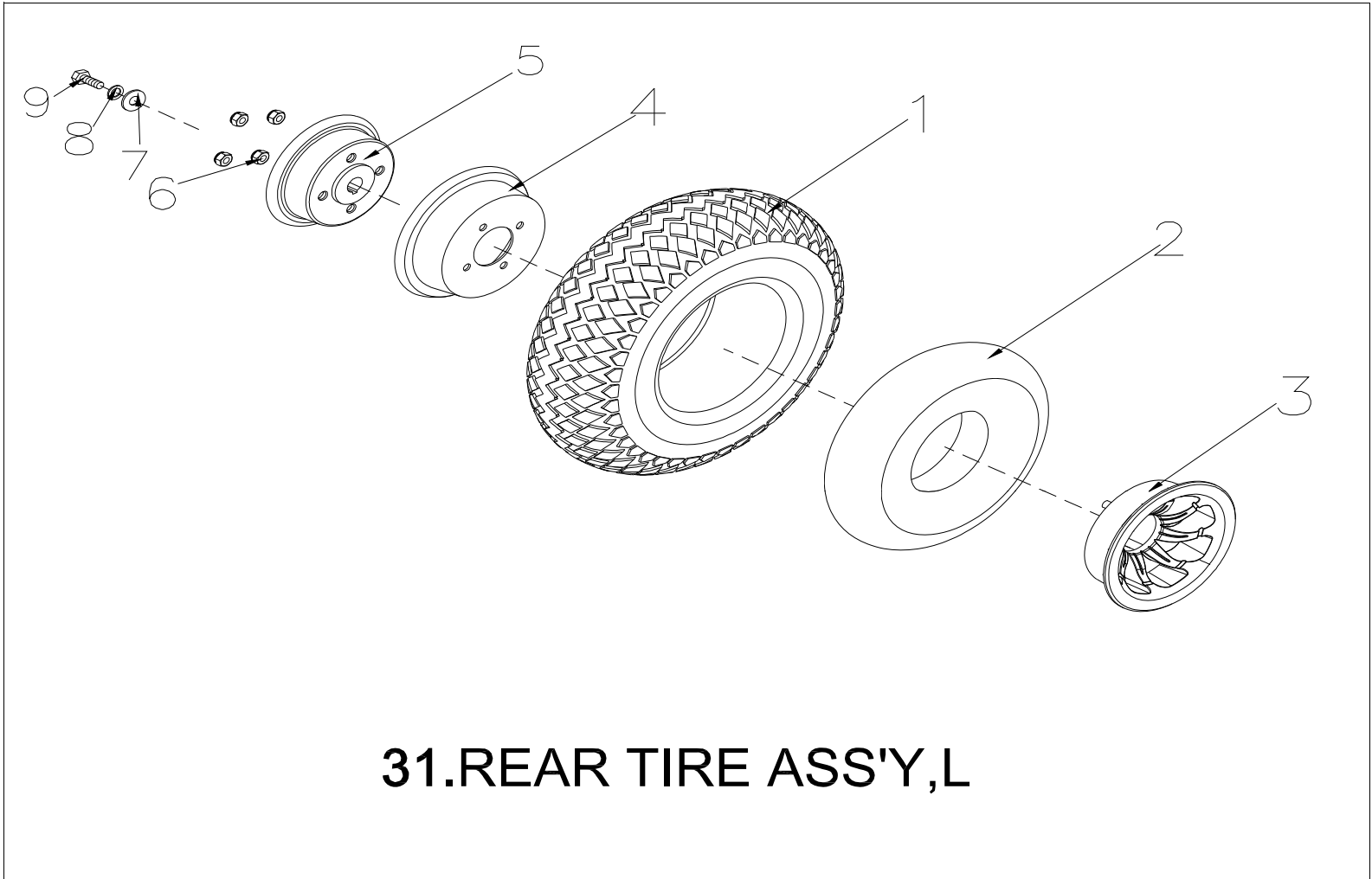
www.max-vitaal.nl



30.STANTARD SEAT ASS'Y



Fig&Index NO.	Parts No.	Parts Name	QTY	Remark
30	S07-054-00100	18" SEAT ASS'Y,SEAT PLATE/BLACK , TA-380C3	1 SET	
30-1	C07-040-00801	SEAT PLATE ASS'Y	1	
30-2	C07-051-00102	SEAT , 18" , BLACK , TA-390C3	1	
30-3	C07-016-00600	SLIDER-150mm	1 SET	
30-4	9032080151253	BOLT,M8X10L	4	
30-5	C30-001-10202	BOLT W/I KNOB ,M8X20L	2	
30-6	9214080150232	WASHER,5/16	4	
30-7	9201080801252	LOCK NUT,M8x1.25	4	
30-8	C26-003-00300	PLUG - R	1	
30-9	C26-003-00200	PLUG - L	1	



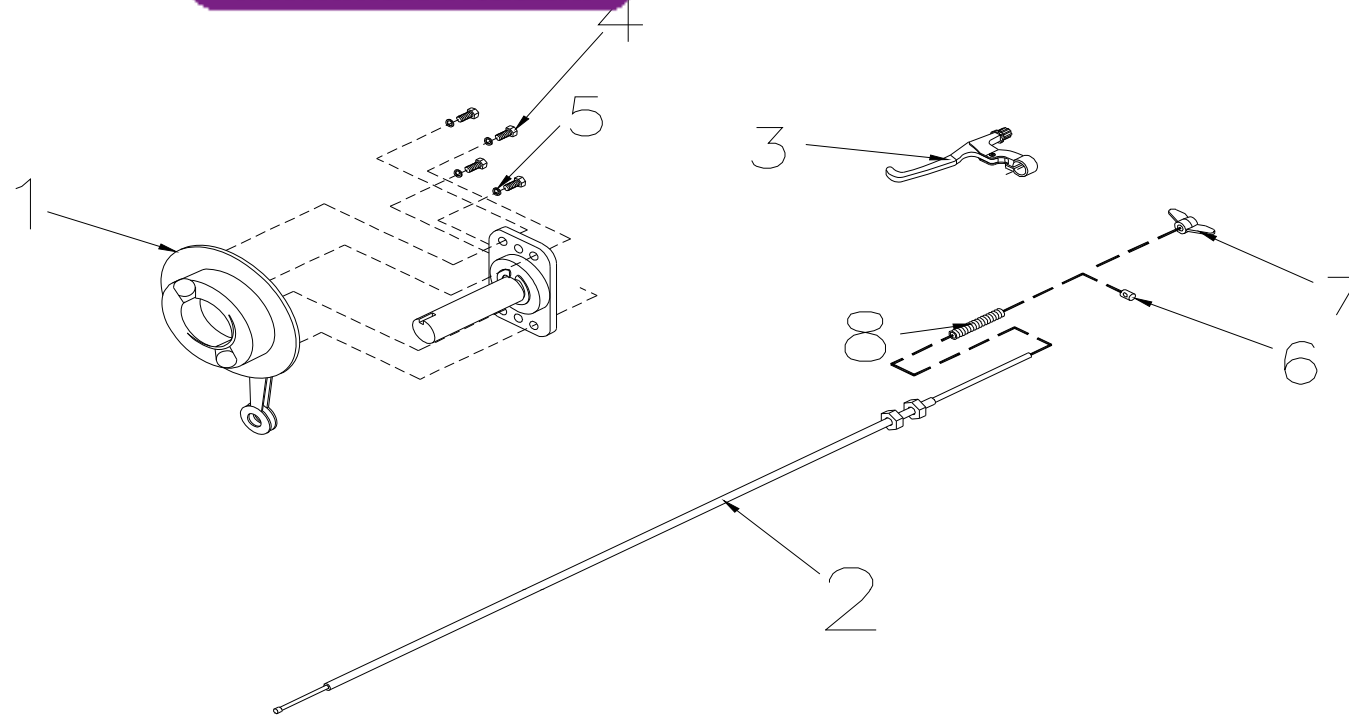
31.REAR TIRE ASS'Y,L



Fig&Index NO.	Parts No.	Parts Name	QTY	Remark
31	S06-005-00300	REAR TIRE ASS'Y, L , GRAY , 400-5-C154-7, inc. DRUM BRAKE	1 SET	
31-1	C05-005-01400	FRONT TIRE,GRAY(4.00-5-C154-7)	1	
31-2	C05-005-00201	INNER TUBE(4.00-5)	1	
31-3	C06-029-00201	OUTTER WHEEL RIM	1	
31-4	C05-005-00401	INNER WHEEL RIM , 5"	1	
31-5	C06-005-00206	DRUM BRAKE,REAR	1	
31-6	9201080801252	LOCK NUT , M8x1.25	4	
31-7	9211080200142	SPRING WASHER ,5/16	1	
31-8	9214080300232	WASHER , 5/16	1	
31-9	9002080201255	BOLT , M8x20L	1	



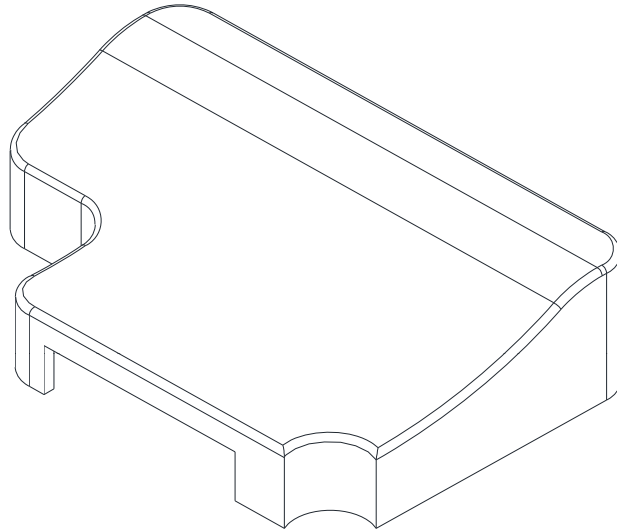
www.max-vitaal.nl



32.BRAKE ASS'Y



Fig&Index NO.	Parts No.	Parts Name	QTY	Remark
32	S35-054-00100	BRAKE ASS'Y	1	FOR CERES TUV
32-1	C06-005-00301	COVER BRAKE,REAR	1	
32-2	C35-026-00102	CABLE , BRAKE	1	
32-3	C06-061-00900	LEVER , BRAKE	1	
32-4	9002060101003	BOLT , M6x10	4	
32-5	9211060150102	SPRING WASHER , M6	4	
32-6	C35-005-00500	PIN , BRAKE	1	
32-7	C35-005-01000	NUT , BRAKE	1	
32-8	C35-005-00401	SPRING , BRAKE	1	



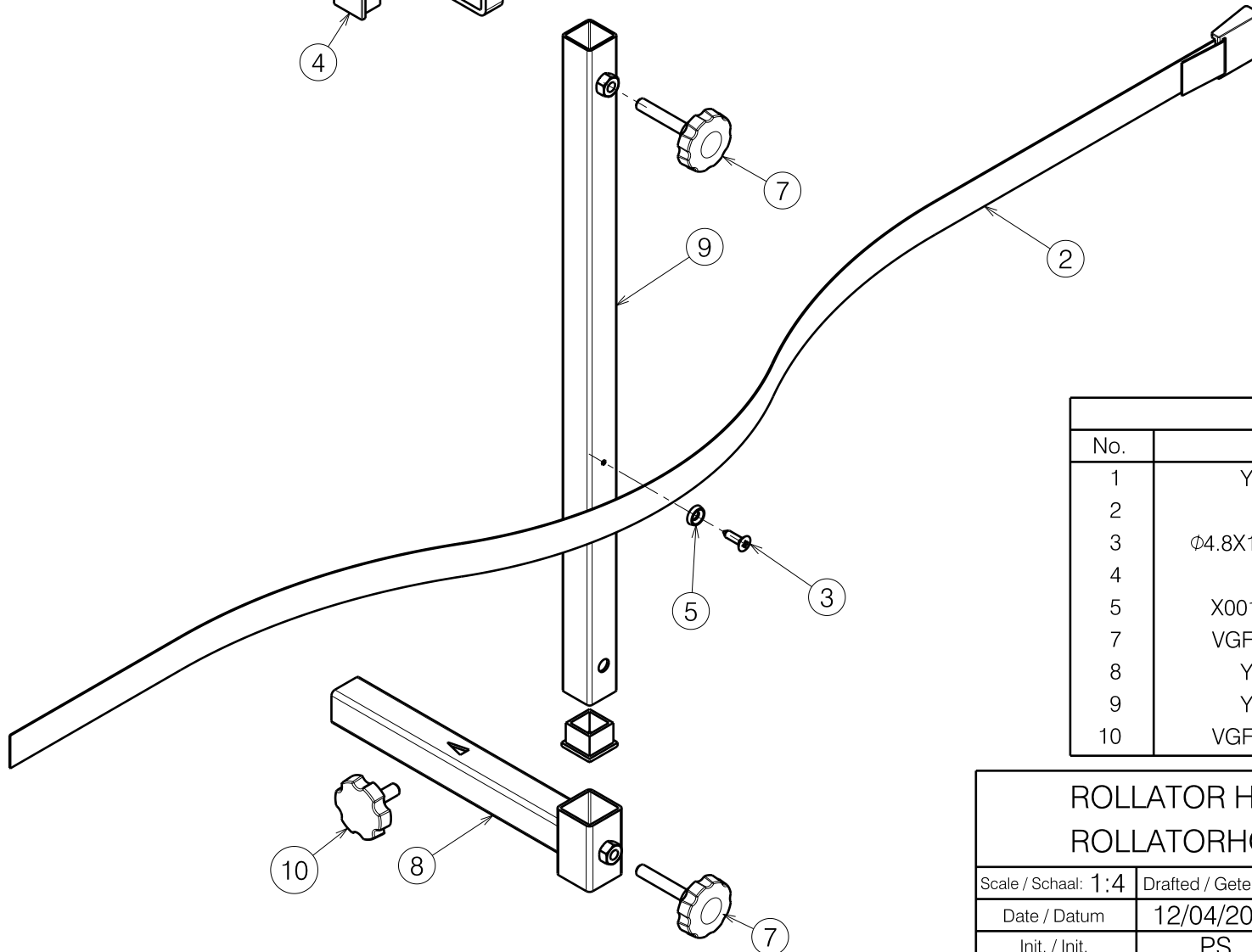
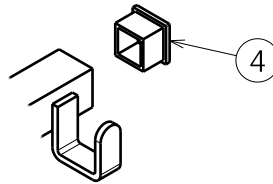
33.COVER, CONTRSLLER



Fig&Index NO.	Parts No.	Parts Name	QTY	Remark
33	C26-067-00300	COVER,CONTRSLER,P&G 70A	1	



Fig&Index NO.	Parts No.	Parts Name	QTY	Remark
34		ACCESSORIES		
34-1	C20-007-00200	GRIP , 120mm	2	
34-2	C20-045-00200	GRIP , 350mm, DELTA BAR	2	
34-5	C23-001-10300	BASKET,PLASTIC	1	
34-6	C12-023-00100	CHARGER,220V, 4A OFF BOARD , CTE	1	
34-9	C12-001-00800	CABLE,CHARGER , EU	1	
34-12	C37-054-00102	OWNER'S MANUAL , BE 01	1	
34-18	C99-054-00102	CARTON , BE 01	1	
34-22	C37-001-00300	MIRROR , L	1	
35-8	S27-054-00100	LABEL SET , BATTERY COVER , EN 01	1 SET	
35-8-1	C27-001-01900	LABEL , NEVER LIFT UP	1	
35-8-2	C27-001-10700	LABEL , ELECTROMAGNETISM	1	
35-8-3	C27-001-00200	LABEL , CE	1	
35-8-4	C27-009-01700	LABEL , EMI	1	
35-8-5	C27-054-00200	LABEL , BRAND , BE 01	1	
35-8-6	C31-016-00200	VELCRO STRIP, LOOP , 80	1	
35-8-7	C31-016-00100	VELCRO STRIP, HOOK , 80	1	
35-8-8	C24-001-00300	REFLECTOR,SIDE,YELLOW	2	
35-14	S27-054-00200	FRONT SHROUD ACCESSORY	1 SET	
35-14-1	C26-040-00200	FOOTREST PAD , R	1	
35-14-2	C26-040-00100	FOOTREST PAD , L	1	
35-14-3	C08-029-00501	DAMAGE PROOF PIECE	2	
35-14-4	9906065000000	PIN ,M6.5	4	
35-14-5	C31-016-00200	VELCRO STRIP, LOOP , 80	1	
35-14-6	C31-016-00100	VELCRO STRIP, HOOK , 80	1	
35-16	S27-054-00300	LABEL SET , REAR SHROUD , BE 01	1 SET	
35-16-1	C27-034-01900	LABEL , LOGO-BE 01	1	
35-16-2	C27-001-00801	LABEL , FREEWHEEL-ENGAGED	1	
35-16-3	C31-016-00200	VELCRO STRIP, LOOP , 80	3	
35-16-4	C31-016-00100	VELCRO STRIP, HOOK , 80	3	
35-16-5	C24-051-00100	REFLECTOR,REAR,RED	1	



Material			
No.	Plan	Article	Quantity
1	Y008182	1610754	1
2	Belt	1000551	1
3	Ø4.8X19 (DIN7983)	1001534	1
4	25x25	1001617	3
5	X001473 (PA6)	1002994	1
7	VGf 40 M8x45	2990016	2
8	Y023056	2051554	1
9	Y023058	2052254	1
10	VGf 40 M8x16	2990024	1

1904796

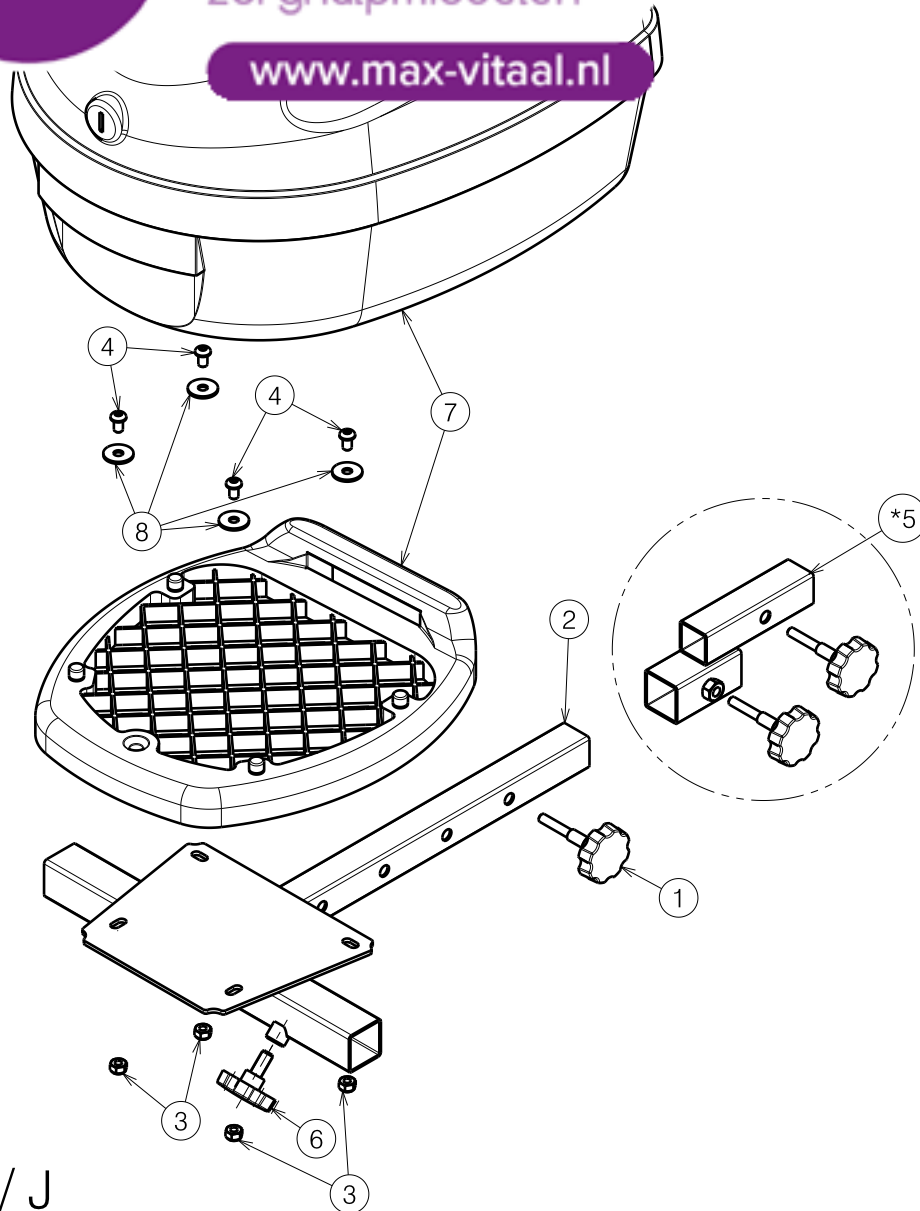
ROLLATOR HOLDER SHOPRIDER
ROLLATORHOUDER SHOPRIDER

Plan No. / Plannr.

E000218/F

Scale / Schaal: 1:4	Drafted / Getekend	Verified / Nagezien	Confirmed / Bevestigd
Date / Datum	12/04/2005	03/05/2019	03/05/2019
Init. / Init.	PS	TT	PJ





E000813 / J

* Adapter Carpo4 Deluxe / Carpo2 / Ceres

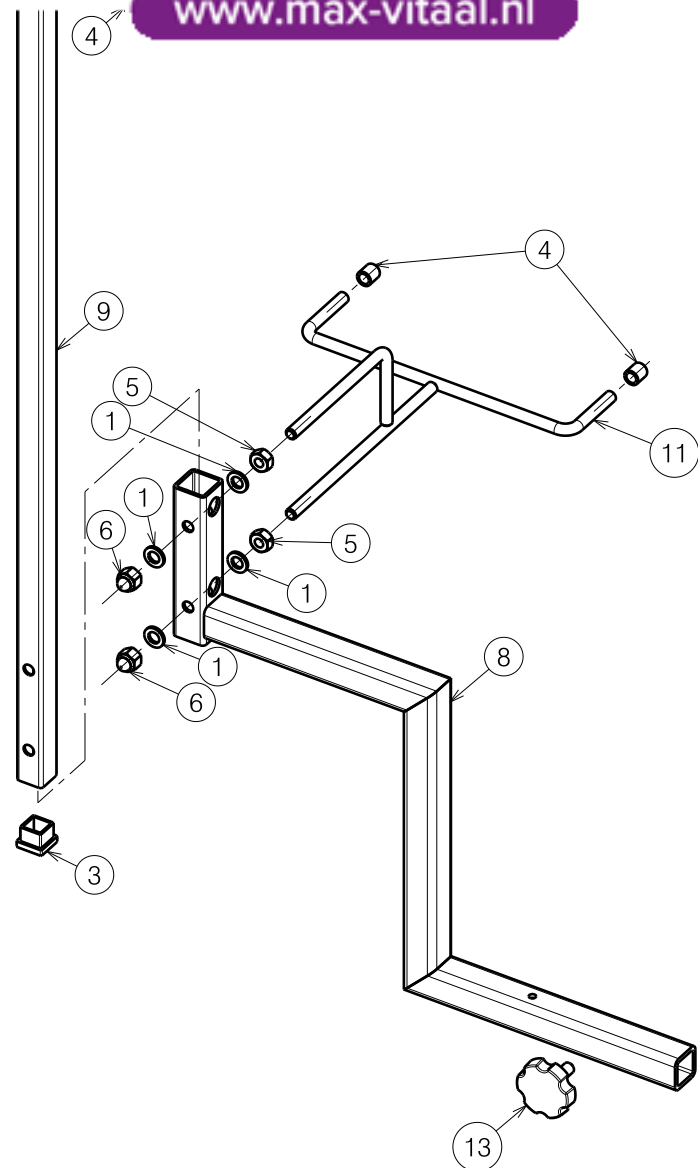
Material			
No.	Plan	Article	Quantity
1	XP00116	2990074	1
2	Y018748	1773854	1
3	---	1001682	4
4	---	1900641	4
*5	E001128	1908396	1
6	---	2990024	1
7	---	W201138	1
8	---	1909451	1

1908395 *

1908152

SW03 TOPCASE FOR SCOOTER SW03 KOFFER VOOR SCOOTER			Plan No. E000813 / J
Scale: 1:5	Drafted	Verified	Confirmed
Date	29/05/2012	06/05/2019	06/05/2019
Initials	TT	TT	PJ






Material			
No.	Plan	Article	Quantity
1	M8 DIN125B	1001556	4
2	M8x20	1001580	1
3	20x20	1001612	1
4	Ø7.8	1001622	6
5	M8 DIN934	1001671	2
6	M8x14	1902024	2
8	Y022385	2042104	1
9	Y021532	2014304	1
10	Y021533	2014004	1
11	Y021537	2014204	1
13	M8x16	2990024	1

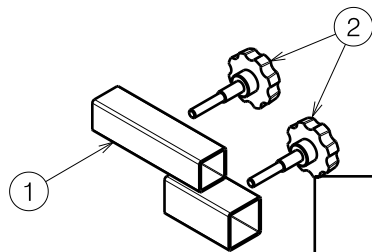
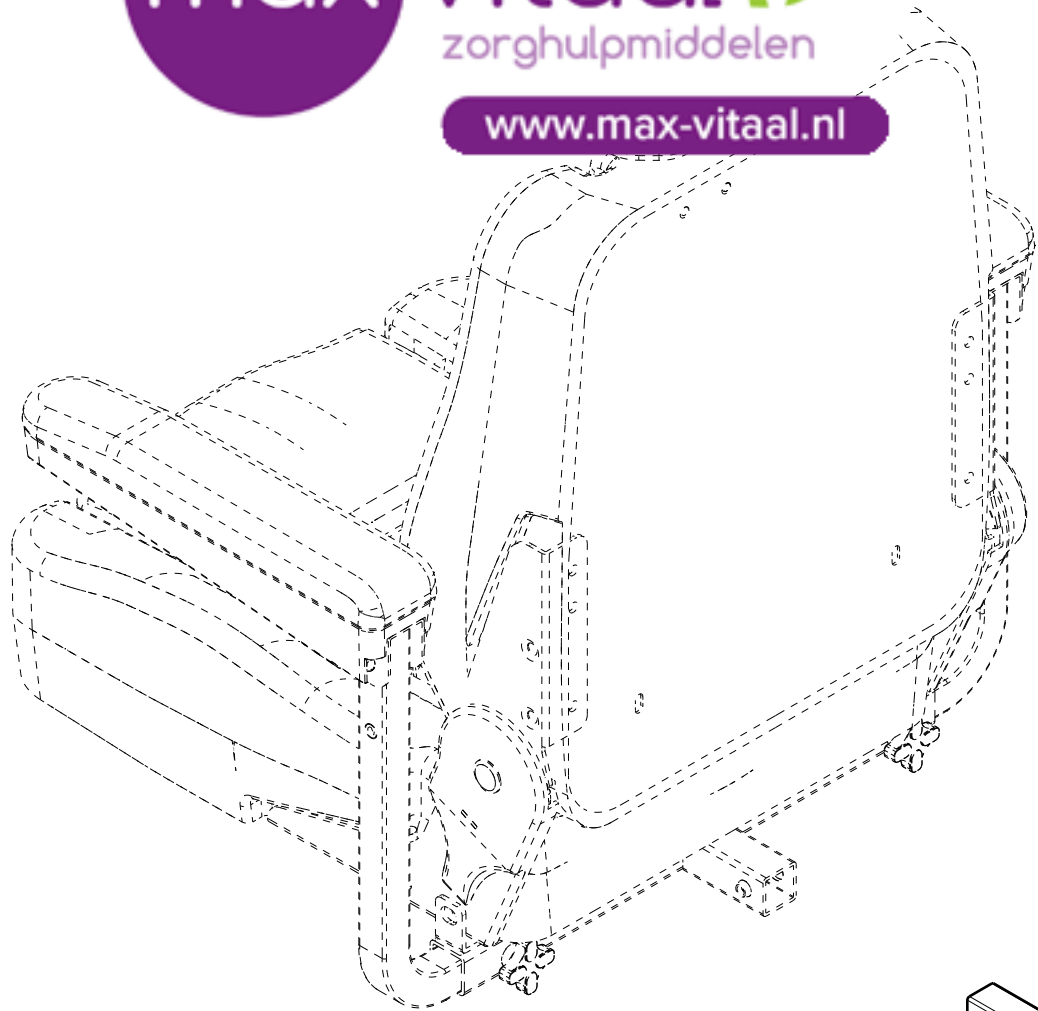
E000996 / F

1913980

ROLLATOR HOLDER FOR QUADRI LIGHT				Plan No.
				E000996 / F
Scale: 1:5	Drafted	Verified	Confirmed	
Date	21/09/2015	06/05/2019	06/05/2019	
Initials	TT	TT	PJ	



www.max-vitaal.nl



Material			
No.	Plan	Article	Quantity
1	Y018809	1776254	1
2	XP00116 VGF 40 M8x16 L=45	2990074	2

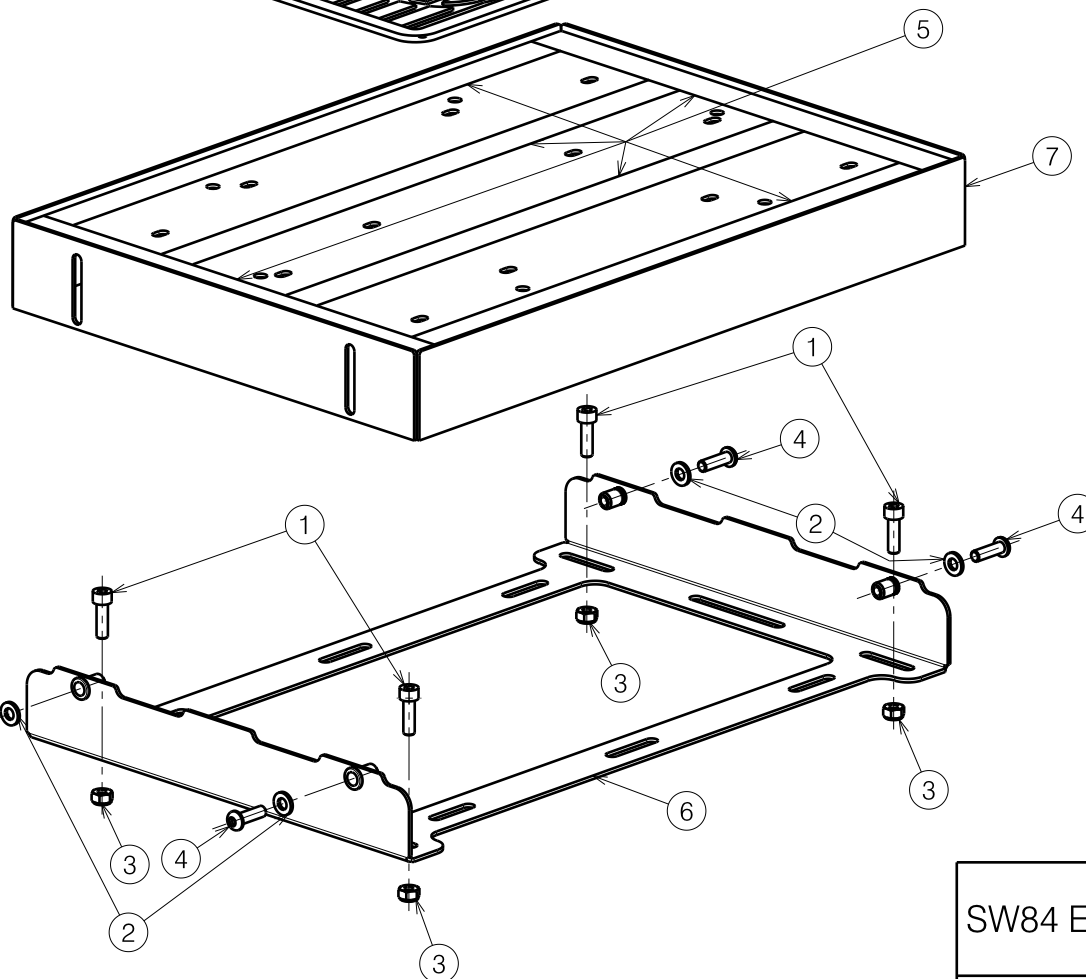
1908396

ADAPTER FOR SW03 CARPO / CERES				Plan No.
				E001128 / A
Scale: 1:5	Drafted	Verified	Confirmed	
Date	03/05/2019	06/05/2019	06/05/2019	
Initials	TT	SD	PJ	

E001128 / A



www.max-vitaal.nl



Material			
No.	Plan	Article	Quantity
1	M6x20 DIN912/8.8	1001493	4
2	M6 DIN125A	1001564	4
3	M6 DIN985	1001680	4
4	M6x20 ISO7380	1006999	4
5	24mm	1904848	2m
6	Y023670	2072854	1
7	Y023674	2072954	1
8	XC00496	3991982	1

Note:

Position of mounting holes, for bolts (item 1) in plastic foot plate, can vary from model to model. Use plate sleeves of frame (item 6) as guides to drill the holes and to avoid drilling through cables or chassis tubes

E001130 / C

SW84 ELEVATED FOOT PLATE CARPO-CERES

Plan No.

E001130 / C

Scale: 1:4

Drafted

Verified

Confirmed

Date

18/06/2019

27/05/2020

27/05/2020

Initials

TT

TT

PJ





scooterpacTM



The parts list

Cont

1. Spi

2. Frame assembly

3. Adjustable arm assembly

4. Windscreen assembly



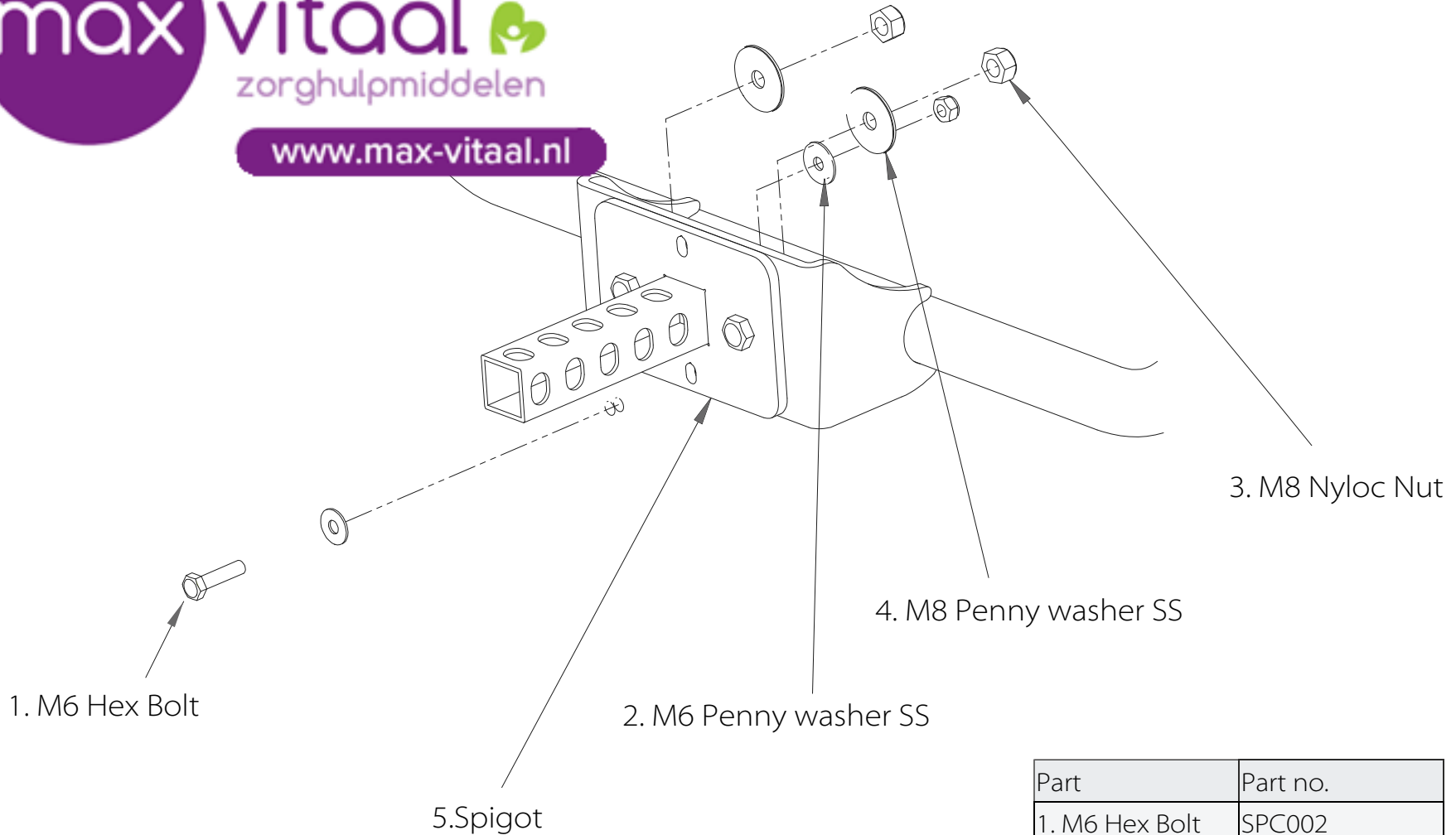
www.max-vitaal.nl



Spigot as



www.max-vitaal.nl



1. M6 Hex Bolt

2. M6 Penny washer SS

3. M8 Nyloc Nut

4. M8 Penny washer SS

5. Spigot

Part	Part no.
1. M6 Hex Bolt	SPC002
2. M6 Penny washer SS	SPC003
3. M8 Nyloc Nut	SPC004
4. M8 Penny washer	SPC005
5. Spigot	SPC006
6. Complete Spigot Assembly	SPC007



Pat. Pending. © ScooterPac 2015

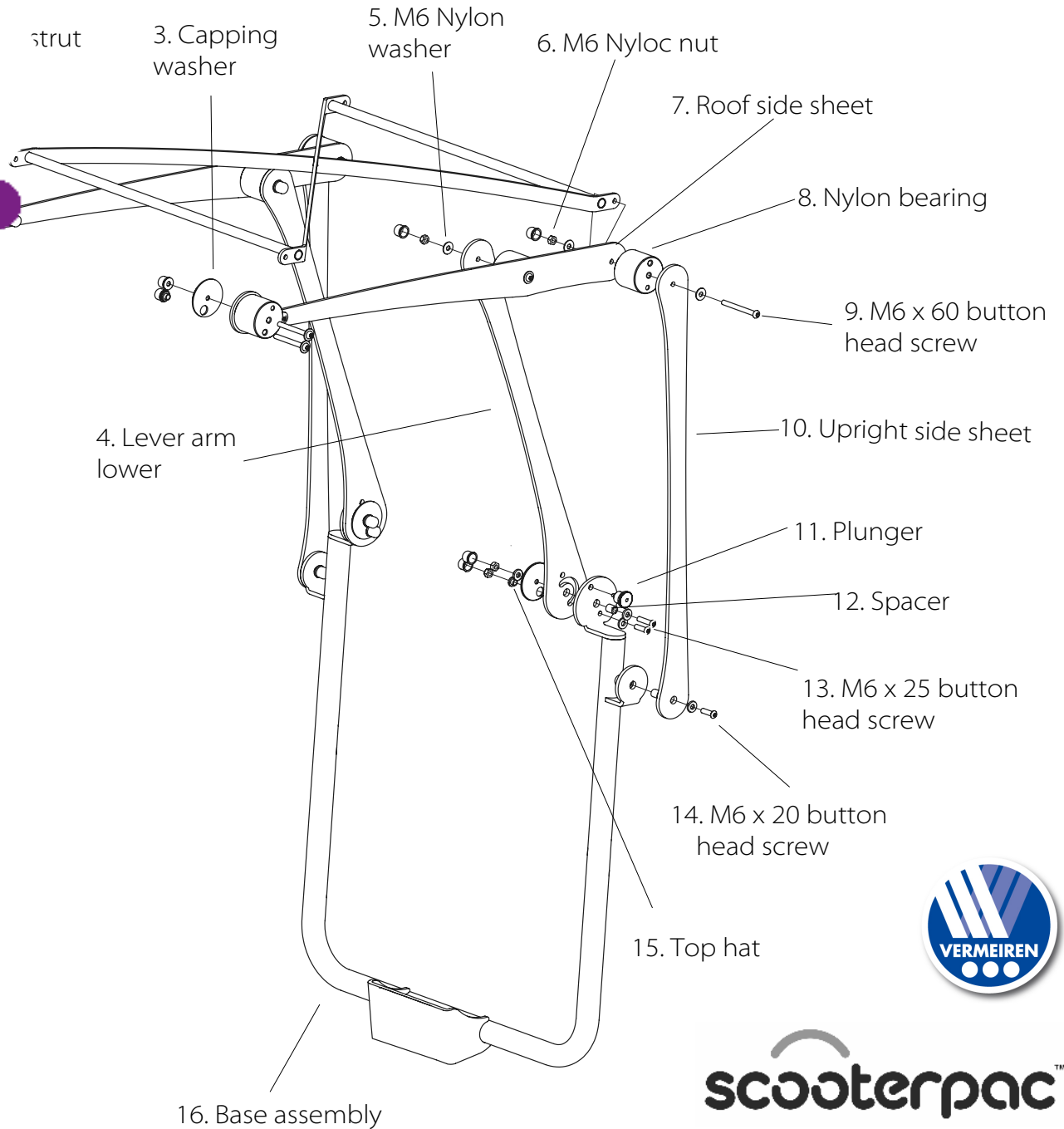


Frame assembly



www.max-vitaal.nl

Part	Part no.
1. M6 x 55 button head screw	SPC008
2. Roof cross strut fabrication	SPC009
3. Capping washer	SPC010
4. Lever arm lower	SPC011
5. M6 Nylon washer	SPC012
6. M6 Nyloc nut	SPC013
7. Roof side sheet	SPC014
8. Nylon bearing	SPC015
9. M6 x 60 button head screw	SPC016
10. Upright side sheet	SCP017
11. Plunger	SPC018
12. Spacer	SPC019
13. M6 x 25 button head screw	SPC020
14. M6 x 20 button head screw	SPC021
15. Top hat	SPC022
16. Base assembly	SPC023

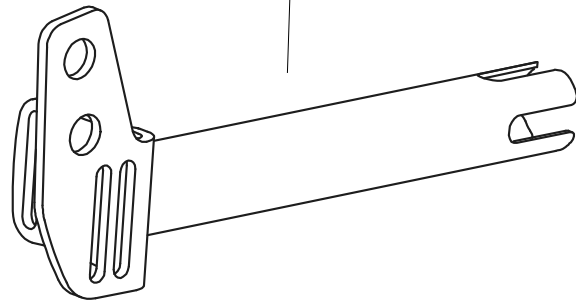


Pat. Pending. © ScooterPac 2015

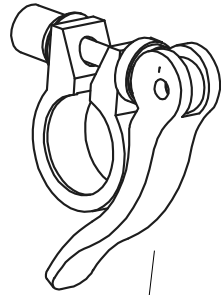
Adjustable



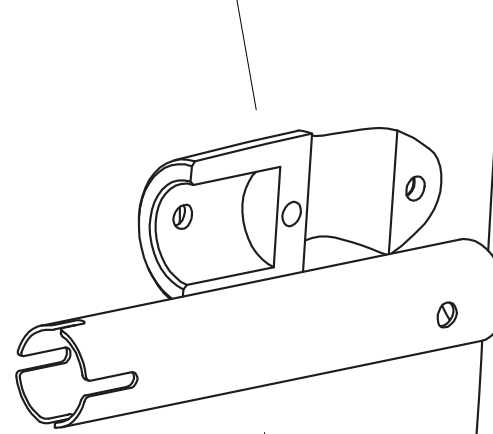
www.max-vitaal.nl



1.

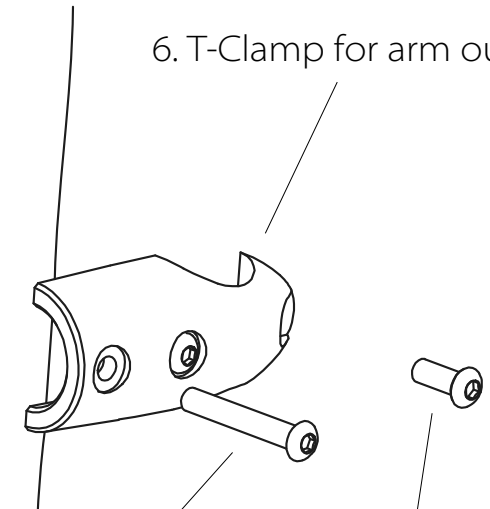


2. Quick release tube clamp



3. Telescopic arm outer

7. T-Clamp for arm inner



4. M6 X 40 button head screw

6. T-Clamp for arm outer

5. M6 x 16 button head screw

Part	Part no.
1. Telescopic arm inner	SPC024
2. Quick release tube clamp	SPC025
3. Telescopic arm outer	SPC026
4. M6 X 40 button head screw	SPC027
5. M6 x 16 button head screw	SPC028

Part	Part no.
6. T-Clamp for arm outer	SPC029
7. T-Clamp for arm inner	SPC030
8. M6 nyloc nut	SPC031
9. Adjustable arm complete	SPC032



Pat. Pending. © ScooterPac 2015

Windscreen assembly



www.max-vitaal.nl

4. M4 x 10 rubber washer

3. Windscreen

2. Windscreen strut RHS

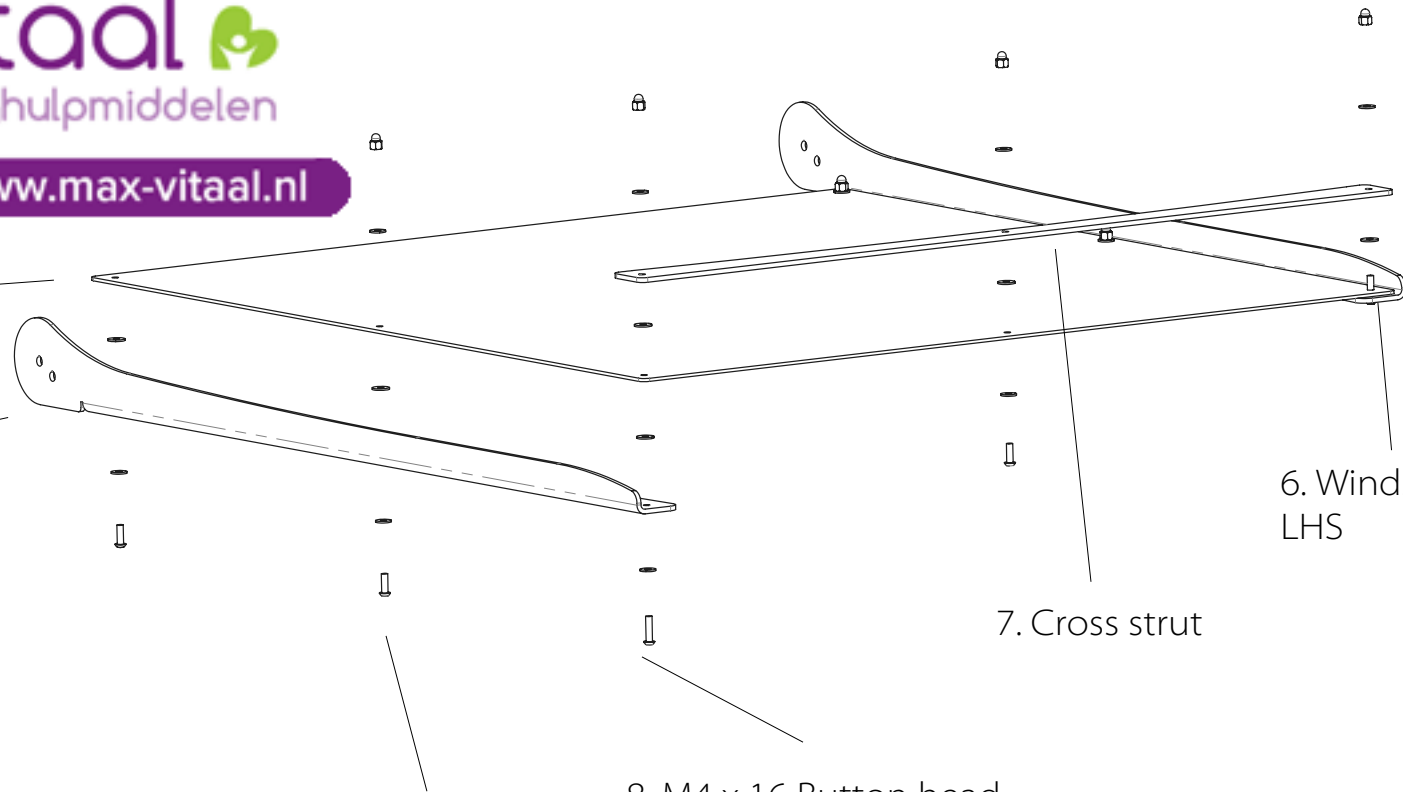
6. Windscreen strut LHS

7. Cross strut

8. M4 x 16 Button head

1. M4 x 12 Button head

Part	Part no.
1. M4 x 12 Button head	SPC033
2. Windscreen strut RHS	SPC034
3. Windscreen	SPC035
4. M4 x 10 rubber washer	SPC036
5. M4 Nyloc Dome nut	SPC037
6. Windscreen strut LHS	SPC038
7. Cross strut	SPC039
8. M4 x 16 Button head	SPC040
9. Complete assembly	SPC041



Pat. Pending. © ScooterPac 2015

Replacement Cover



Part	Part no.
1. Replacement cover	SPC001



Pat. Pending. © ScooterPac 2015

